

English

Document: 10007832612 / 05
15588077

Quick Installation Guide WEMOB-WALL G2 Models 1T1/1T2 (32 A)

Charging Station for Electric Vehicles (EV)

1 SAFETY INSTRUCTIONS

All safety procedures described in this quick installation guide and in the installation and operation manual for the WEMOB-WALL G2 electric vehicle charging station must be followed. The recommended procedures aim at protecting the user against death, serious injuries and considerable material damages. Also follow the electrical installation standards applicable in your place.

1.1 GENERAL INFORMATION

This quick installation guide contains the basic information required for the installation, configuration and operation of the WEMOB-WALL electric vehicle charging station.

1.2 PRELIMINARY RECOMMENDATIONS

DANGER!

- Only qualified personnel, familiar with the charging station and related equipment, must plan or execute the installation, startup, operation and maintenance of this equipment.
- Such personnel must follow the all the safety instructions contained in this guide, in the installation and operation guide and/or defined by local regulations.
- Failure to comply with the safety instructions may result in death, serious injury and/or equipment damage.
- A damaged charging station must be removed from service and repaired. The repair must be carried out by the manufacturer or its representative only. No changes or modifications to the charging station are permitted.
- Always disconnect the general power supply before touching any electrical part in connection with the electric vehicle charging station.

1.3 PACKAGE CONTENT

- WEMOB-WALL G2 electric vehicle charging station.
- Installation kit: (04 self-tapping screws 4.8 x 38 mm [0.20 x 1.50 in]), 04 plastic plugs Ø 8 mm [0.31 in], 01 "L" torx T20 wrench, 04 rubber sealing rings, 01 metal mounting bracket.
- Drilling template.
- Quick installation guide.

1.4 RECEIVING AND STORING

The WEMOB-WALL charging station is supplied packed in a cardboard box. This package contains a label outside describing the main characteristics of the product: model, WEG stock item, serial number, manufacturing date etc.

Check if:

- The identification label matches the purchased model.
- Damages occurred during transportation. If any problem is found, contact the carrier immediately.
- If the WEMOB-WALL charging station is not installed immediately, keep it in the packaging closed and store it in a clean, dry place with temperature between -25 °C and 80 °C (-13 °F and 176 °F).

In order to open the package:

- Place the package on a table.
- Open the package.
- Remove the product.

2 OVERVIEW



Figure 2.1: WEMOB-WALL overview

(*) Plug release/lock button are only present on the WEMOB-WALL charging station model with cable type 2.
(**) Power cable are not included with the product.

2.1 OPTIONS

The WEMOB-WALL charging station may feature a charging cable with type 1 or type 2 plug, depending on the model purchased.

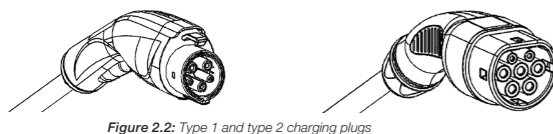


Figure 2.2: Type 1 and type 2 charging plugs

3 INSTALLING

The directions and suggestions must be observed to ensure the operation and safety of people and equipment. The procedures are divided into:

- Mechanical installation.
- Electrical installation.

4 MECHANICAL INSTALLATION

The WEMOB-WALL charging station is designed for indoor or outdoor operation, for mounting on garage or parking garage walls, poles, columns and the like. Therefore, it is necessary to ensure some specifications to protect the device in its installation site.

4.1 ENVIRONMENTAL CONDITIONS

The following criteria must be observed when selecting the appropriate installation location:

- To ensure a secure mounting, check the condition of the wall before the installation.
- The mounting surface must be stable and resistant enough to withstand mechanical forces.
- Do not install the charging station on horizontal or inclined surfaces.
- Do not install the charging station in areas at risk of flooding.
- Avoid mounting the station on unstable, moving or uneven surfaces.
- Avoid mounting the equipment below hanging objects or furniture that may fall and damage it.
- If the screws and plugs included in the installation kit are not suitable for the surface, provide fastening hardware specific to the surface type.
- Determine the vehicle parking position to make sure that the station charging cable reaches the electric vehicle charging socket.
- Do not install the charging station near pedestrian and/or vehicle traffic routes, where the charging cable crosses such routes.
- If installed on a column, pole or the like, provide a minimum clearance of 1 m (3.28 ft) around the station to allow users to circulate. It is recommended to provide a barrier to prevent vehicles from colliding with the station.

Environmental conditions for operation:

- Temperature: -25 °C to 50 °C (-13 °F to 122 °F).
- Air relative humidity: 5 % to 95 % non-condensing.
- Maximum altitude: 2000 m (6562 ft) above sea level - rated conditions. For applications at higher altitudes, contact WEG.

To ensure proper operating conditions and a longer service life of the station, the following requirements must be observed:

- Do not install the station in a closed box or near appliances that emit heat.
- Do not install the station in environments without air circulation.
- If possible, protect the charging station from direct exposure to sunlight, rain, excessive humidity, sea air, thunderstorms or other adverse weather conditions.
- Do not spill water or other liquids inside the equipment.
- Avoid exposure to flammable, explosive or corrosive gases, vapors or liquids.
- Do not expose it to excessive vibration.
- Do not expose the charging station to dust, metallic particles or oil mist.
- Avoid exposure to strong water jets, such as a pressure washers, garden hoses etc.
- Periodically clean the outside of the station, the cable and the charging plug.
- Perform the cleaning with the station turned off.
- Never perform the cleaning while the electric vehicle is being charged.
- To perform the cleaning, use a soft, dry cloth only.
- Do not use abrasive cloths, sponges or detergents.
- Do not use solvents or chemicals.
- If the charging station is too dirty, use a cloth slightly moisten with water and mild soap to remove the accumulated dust and dirt. Remove the soap residue after the cleaning.

4.2 POSITIONING

Choose a flat vertical mounting surface, stable and resistant enough to withstand the mechanical forces, with at least 200 mm [7.87 in] clearance on the sides and on top of the charging station for ventilation and storage of the charging cable after use.

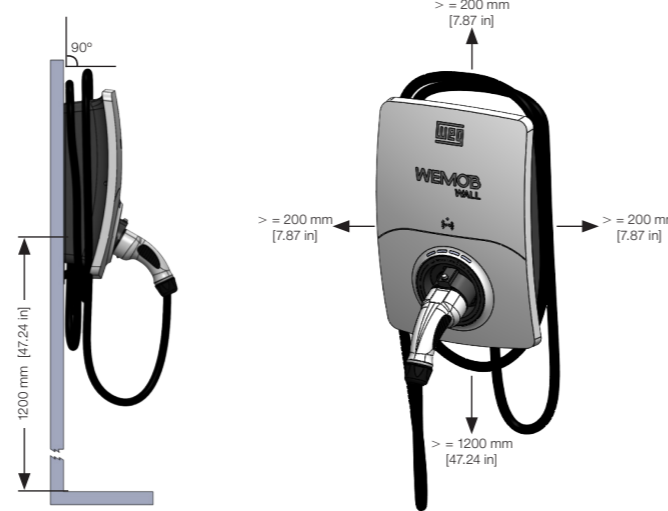


Figure 4.1: Mounting position and spacing of the WEMOB-WALL

NOTE!

- We recommend mounting the charging station at a height where the charging socket is 1.2 meter (3.94 ft) above the ground. Please, note that local regulations may limit this height.

4.3 MOUNTING

ATTENTION!

- Before installing the charging station, make sure that there are no electrical cables, conduits, water pipes, gas pipes or other obstructions near the drilling points.

The WEMOB-WALL charging station can be mounted in different ways to meet the needs of the installation site. For environments that require greater security, the station has internal fixations (I1, I2, I3 and I4), accessible only by opening the front cover. In other environments, the station can be mounted without opening the front cover, with screws accessible from the outside (E1, E2, E3 and E4) or using a metal bracket (E5 and E6), which guarantees a better fixation.

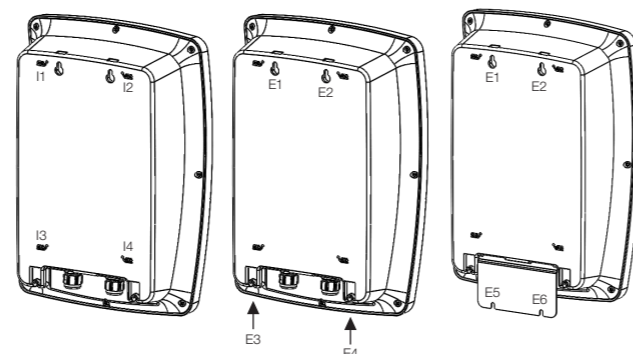
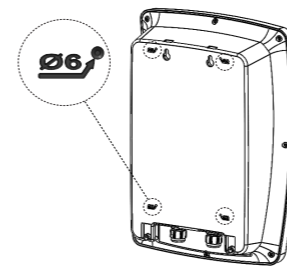


Figure 4.2: WEMOB-WALL mounting methods

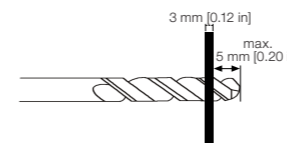
4.3.1 Internal Mounting

Mounting from the inside of the station requires opening the front cover. The mounting points I1, I2, I3 and I4 leave the factory closed and to open them it is necessary to use a Ø 6 mm [0.24 in] drill bit. Follow the procedures below:

- Find the four (04) drilling points marked on the rear base of the charging station.



- Using a drill with a Ø 6 mm [0.24 in] drill bit, make the four (04) holes.

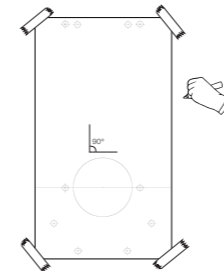


ATTENTION!

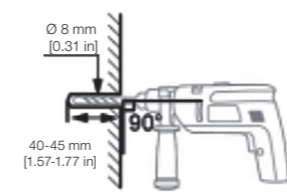
- Drill in no more than 5 mm [0.20 in], at risk of reaching and damaging internal components. Use a depth gauge.
- Make sure that the internal plastic wall is perfectly smooth and free of burrs. If any burrs remain, remove them carefully so as not to affect the sealing.

- Position the drilling template on the surface, adjust the installation height and leveling. If necessary, use a spirit level.

- Mark the four (04) holes (I1, I2, I3 and I4) using the drilling template.

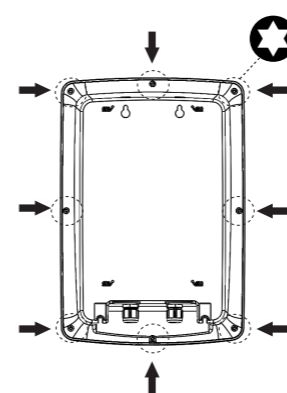


- Remove the drilling template and drill the four (04) holes with a Ø 8 mm [0.31 in] drill bit.

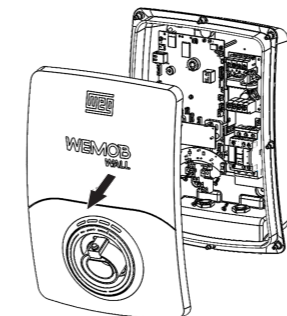


- Insert the four (04) Ø 8 mm [0.31 in] plastic plugs into the holes.

- Using the T20 torx "L" wrench, remove the eight (08) screws on the lower side of the front cover.



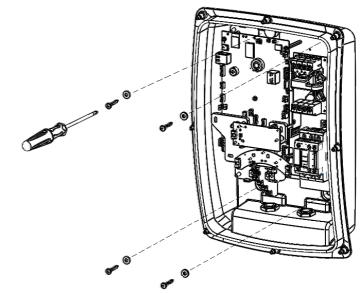
- Remove the front cover by pulling it forward.



- Put the cover in a safe place, without risk of falling and not subject to impacts.

- Place the charging station close to the wall and align the holes in the rear base with the holes in the wall.

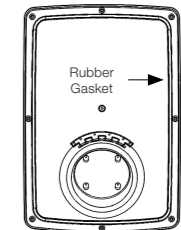
- Insert the sealing rings into the four (04) screws, align the screws with the holes and tighten them.



ATTENTION!

- Be careful not to damage the circuit boards or charging station components.
- The electronic boards have electrostatic discharge sensitive components. Do not touch the components or connectors directly.
- Do not overtighten the screws, as you risk damaging the plastic part.
- The installation surface must be completely flat so as to avoid deformations.

- After mounting the charging station, reinstall the front cover.



ATTENTION!

- Position the front cover rubber gasket correctly.
- The screws must be tightened in X pattern so that the rubber gasket compresses evenly over the entire length of the cover.
- If problems are detected in the rubber gasket or in the cable glands, it is recommended to replace the defective part immediately.
- Any problem with the gaskets may affect the protection rating.

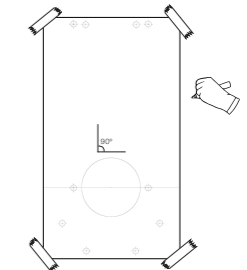
4.3.2 External Mounting

Mounting from the outside of the station does not require opening the front cover. Follow the procedures below:

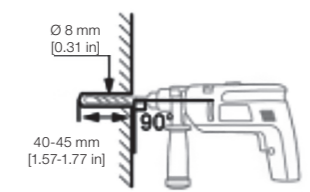
- Position the drilling template on the surface, adjust the installation height and leveling. If necessary, use a spirit level.

- For mounting without the metal bracket (accessory), mark the four holes (E1, E2, E3 and E4) using the drilling template.

For mounting with the metal bracket, mark points E1, E2, E5 and E6.



- Remove the drilling template and drill the four (04) holes with a Ø 8 mm [0.31 in] drill bit.



- Insert the four (04) Ø 8 mm [0.31 in] plastic plugs.

- For mounting without the metal bracket (accessory) (a), insert the four (04) screws (E1, E2, E3 and E4) and tighten them leaving a distance from the head of the screw to the wall of 3.5 mm [0.14 in] for the upper screws (E1 and E2) and 10 mm [0.40 in] for the lower screws (E3 and E4).

For mounting with the metal bracket (b), insert the four (04) screws (E1, E2, E5 and E6) and tighten them leaving a distance of 3.5 mm [0.14 in] from the wall for the upper screws (E1 and E2). The lower screws (E5 and E6) can be tightened to the end.

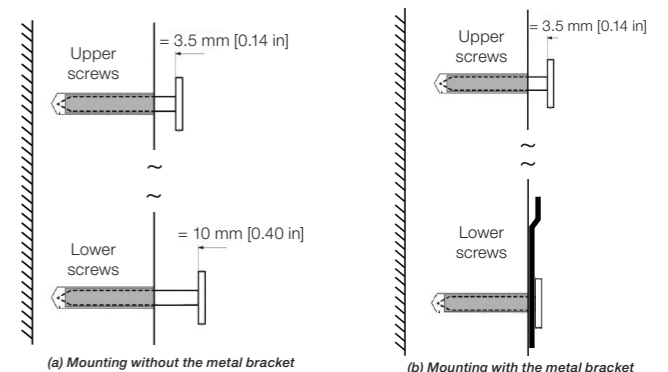
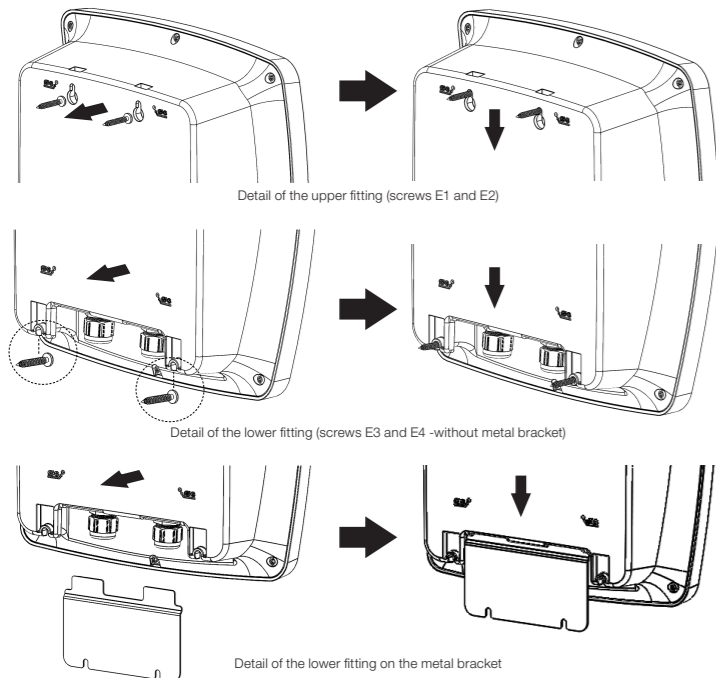


Figure 4.3: Ways of external fixation

6. Bring the charging station close to the upper fixing points (E1 and E2), align the larger opening with the screw heads and slide it down until it is fully seated on the screws (E3 and E4) or on the metal bracket.



Detail of the upper fitting (screws E1 and E2)

Detail of the lower fitting (screws E3 and E4 -without metal bracket)

Detail of the lower fitting on the metal bracket

7. Make sure that the station is securely fastened by adjusting the distance from the screw heads to the wall if necessary.

5 ELECTRICAL INSTALLATION

DANGER!

- Make sure the supply line is disconnected before starting the connections.
- The supply line voltage must be compatible with the WEMOB-WALL voltage range.
- The charging station must be connected to a protective earth (PE). Do not use the neutral for grounding, but a specific conductor. The grounding resistance must be lower than 100 Ω or lower than the maximum value defined in the applicable electrical installation standards, and the voltage between neutral and earth, lower than 10 V.
- The WEMOB-WALL charging station does not have a power switch (On/Off switch). The station can be switched on or off using the circuit breaker or residual current device (RCD or DR), located on the switchboard.

ATTENTION!

- Adaptors or conversion adaptors and cord extension sets are not allowed to be used.
- The power and charging cables must be routed directly through the PG16 cable gland (closing area for Ø 10 to 14 mm [0.40 to 0.55 in] cable), observing a bending radius of approximately 10 times the diameter of the cable so as to avoid mechanical forces on the station.
- Keep the cable gland thread always tight to prevent the ingress of dust and liquids into the charging station. The recommended torque for tightening the nuts is 5 to 6 Nm.
- When flexible cables are used for the power and ground connections, it is necessary to use suitable terminals at the cable ends.
- All electrical connections must be well tightened so that there is no risk of sparking, excessive heating or voltage drop in the circuits.
- It is recommended to use copper conductors.
- The charging station has a relay output with normally open contacts (NO), whose current must not exceed 1 A. If your electric vehicle requires ventilation during the charging process, the ventilation system must be connected to the station via terminals V1 and V2. The recommended tightening torque of the screws is 0.4 to 0.6 Nm.

5.1 SELECTION OF THE RATED CURRENT

ATTENTION!

- The WEMOB-WALL charging station is set at the factory to its maximum output current (32 A). If necessary, set the output current value.

The maximum output power of the wall charger is 7.68 kW when the station is powered at 240 V (single-phase or two-phase) with output current of 32 A.

In certain electrical installations, it is not possible to use the maximum power supplied by the charging station due to power line limitations. The WEMOB-WALL charging station allows setting the rated current from 6 to 32 A.

NOTE!

The output power depends on the input voltage and output current setting.

To set the rated current, with the power supply disconnected, follow the instructions below:

- Open the front cover.
- Locate the dip switches on the electronic board.
- Use a small screwdriver or another suitable tool and set the keys according to Table 5.1.
- Install the front cover again.

NOTE!

- Details of the opening and closing of the front cover are described in item "4.3.1 Internal Mounting".

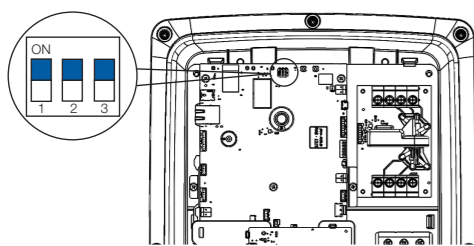


Figure 5.1: Rated current selection switches

Table 5.1: Setting of the rated current

1	2	3	Rated Current
OFF	OFF	OFF	6 A
OFF	OFF	ON	8 A
OFF	ON	OFF	10 A
OFF	ON	ON	12 A
ON	OFF	OFF	16 A
ON	OFF	ON	20 A
ON	ON	OFF	24 A
ON	ON	ON	32 A

NOTE!

- Be careful not to damage the circuit boards or components when setting the rated current.

DANGER!

- The selection switches for the rated current must be set with the power supply disconnected. Setting them with the power supply connected, in addition to being dangerous, is not recognized by the system.
- Make sure that the electric vehicle withstands high charging currents. If you are not sure, refer to the manual or manufacturer of the electric vehicle.

5.2 POWER CABLE

The power cable of the charging station must be installed so that it is visible, routed directly through the PG16 cable gland, located at the bottom of the station. The outside diameter of the cable must be within the cable gland closure area, which is 10 to 14 mm [0.40 to 0.55 in].

The cable sheath must be visible until it passes through the cable tie. Only after passing through the cable tie should the cable be stripped to connect the wiring to the terminals. Cut the connecting wires to the appropriate length. Keep them as short as possible, avoiding unnecessary lengths.

The WEMOB-WALL charging station can be connected to single-phase or two-phase power supply lines (without neutral), with a rated voltage of 100 to 240 V ±10 % (50/60 Hz).

- Single-phase (L1 / N).
- Two-phase (L1 / L2).

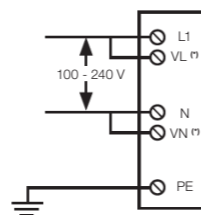


Figure 5.2: Internal electrical connection

ATTENTION!

(*) For surge protection, the electronic power supply is protected by varistors. Some station models feature built-in varistors in an electronic card, and the user does not have to make any connections. If the charging station has the varistor connections on the terminal block, it is mandatory to connect the VN (Varistor / Neutral) and VL (Varistor / Phase L1) terminals to the neutral (N) and phase (L1) terminals of the power supply terminal block.

- The charging station must be connected to a protective earth (PE).

For the 32 A rated current, it is recommended to use conductors with minimum gauges of: PHASE: 1x6 mm², NEUTRAL: 1x6 mm² and GROUND: 1x6 mm².

The appropriate gauge of the power cables depends on the power and distance from the distribution box or switchboard to the charging station. Observe possible correction factors for the current capacity of the cables considering the installation method, temperature, distance and voltage drop. Under certain circumstances, that may lead to an increase in the cable cross section.

The connection terminals for the power, ground, varistors and fan cables have the following characteristics:

Table 5.2: Connection terminal characteristics

Terminal	Neutral (N) and Phase (L1)	Ground (PE)	Varistors (VN / VL) and Fan (V1 / V2)
Connection capacity	Solid wire	1.5 ... 16 mm ²	0.5 ... 4 mm ²
	Flexible conductor	1.5 ... 10 mm ²	1.5 ... 2.5 mm ²
	AWG conductor	16 ... 6	26 ... 12
Cable stripping		12 mm	10 mm
Tightening torque	1.2 to 1.8 Nm	1.2 to 1.8 Nm	0.4 to 0.6 Nm

5.3 PROTECTIVE DEVICES

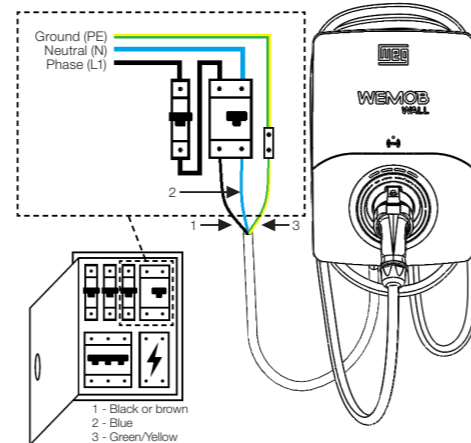
ATTENTION!

- The WEMOB-WALL charging station must be connected to a protective circuit breaker (C curve) and to a residual current device (RCD or DR) with sensitivity of 30 mA (AC) type A, exclusive to the power supply circuit of the charging station.

When selecting the protective circuit breaker upstream the charging station, check the distribution panel or switchboard to identify the current available at the installation site. Under certain circumstances, as the desired power cannot be installed, the value defined for the rated charging current may have to be reduced.

Determine the rated operating current of the circuit breaker according to the data provided by the manufacturer, the desired charging current set via dip switch, and the gauge and length of the power cable.

Also take into account the derating of the circuit breaker rated current as a function of the ambient temperature in the distribution panel or switchboard.



(a) with single-phase circuit breaker and RCD

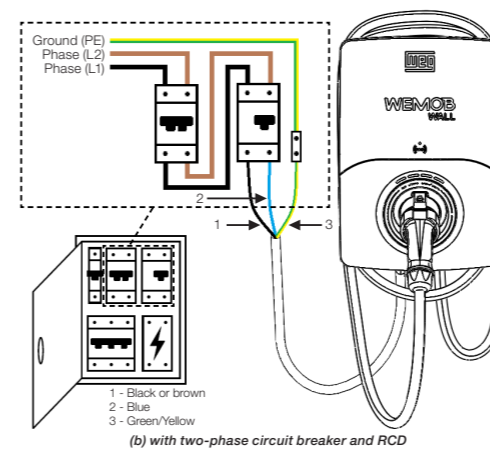


Figure 5.3: (a) and (b) Examples of single-phase (L1-N-PE) and two-phase (L1-L2-PE) electrical connection

ATTENTION!

- In two-phase installations (without neutral), use a two-pole circuit breaker.

NOTE!

For the output current set to 32 A, the use of WEG items is recommended:

- Single-phase circuit breaker MDWH-C40 40 A curve C (11422717) or two-phase circuit breaker MDWH-C40-2 40 A curve C (11422719) with I_t of 50 kA²s, energy limitation class 3 and short-circuit breaking capacity of 6 kA.
- RCD RDWH-A-30-40-2-D62 40 A/30 mA RCD type A (14763941).
- The color coding of the power cables shown in Figure 5.3 are merely illustrative and may not comply with an international standard.

5.4 CHARGING CABLE

The WEMOB-WALL charging station is supplied with a 5 m (16.40 ft) or 7 m (22.97 ft), type 1 or 2 charging cable already connected to the internal terminals of the station, suitable for the rated current of 32 A.

ATTENTION!

- Make sure that the station charging cable plug (type 1 or 2) is compatible with the socket of your electric vehicle.

To release the charging cable from the socket on charging stations with type 1 cable, press the trigger located at the bottom of the plug (1) and pull the plug backwards (2). On charging stations with type 2 cable, press the plastic pushbutton located on top of the socket (1) and pull the plug backwards (2).

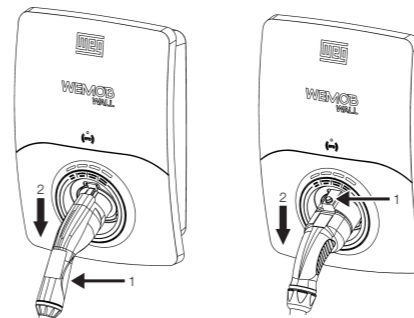


Figure 5.4: (a) and (b) Procedure for removing the plug from the socket on charging stations with cables type 1 and type 2

NOTE!

- When the electric vehicle is completely charged, wind up the cable around the charging station and insert the plug into the socket on the front cover. Do not leave the charging cable on the floor.

Follow the instructions below to avoid damage to the charging cable:

- Unwind the entire charging cable before starting to use it.
- Do not allow the end of the cable (plug) to fall on the floor.
- Never connect the charging cable to an extension cable or adapter.
- Never disconnect the charging cable, either from the station or the electric vehicle, by pulling it.
- Do not pull the charging cable with excessive force.
- Make sure that the charging cable does not touch heat sources, pointed or sharp objects.
- Do not immerse the charging cable in water or other liquids.
- Do not use this product if the charging cable is worn, the insulation is damaged or dirty or shows any other signs of damage.
- A damaged charging cable can cause a short circuit, fire or electric shock.
- Protect the electric vehicle connecting plug against the ingress of liquids or foreign bodies.
- Do not use this product if the charging plug shows signs of corrosion or foreign bodies are present inside the plug.
- Do not make changes or adaptations to the plug.
- The charging cable must not cross pedestrian and/or vehicle traffic routes, where it may be stepped on or subjected to mechanical stresses (bent, stretched or pinched), which may cause pedestrian falls, damage to cables and to the charging station.

6 OPERATION

After completing the mechanical and electrical installation, the charging station is ready to go into operation. Turn on the circuit breaker and residual current device (RCD or DR) on the distribution board. When the charging station is energized, the LED will be solid GREEN, indicating that it is available to start charging. If the charging station will not be used for a long time, it is recommended to keep it turned off.

DANGER!

- Before operating the charging station, perform a visual inspection for damage. A damaged charging station must be removed from service and repaired.
- Do not allow the charging station to be operated by children or people with reduced mental or sensory abilities.

6.1 INDICATION

The LEDs located on the front cover provide visual information about the current operational status of the charging station. It consists of four (04) LEDs, which can light up (steady ON) or blink. In addition, beeps can be emitted to inform the status.

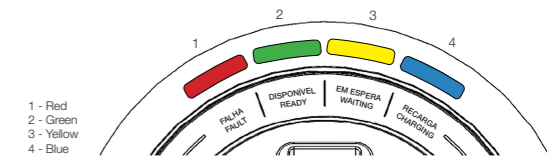


Figure 6.1: Indication LEDs

Table 6.1: Status indication

LED color	Status	Description
All LEDs blinking	STARTING	Charging station in autotest
All LEDs off	OFF	Charging station without power supply
Solid green	READY	Station ready for use
Blinking green	AUTHORIZED	User authorized for recharging (only if the station requires authentication)
Solid yellow	WAITING	Electric vehicle connected and in process of recognition
Blinking yellow	WAITING	Charging complete or suspended
Solid blue	CHARGING	Charging in progress
Solid red	FAULT	Station in fault state
Blinking red	FAULT	Station in error state

6.2 CHARGING PROCEDURE

To start charging the electric vehicle, remove the plug from the charging station socket and connect it to the electric vehicle socket. After the plug is connected to the electric vehicle, charging will occur automatically, following the stages:

Stage 1: Ready

To start charging, check that the station is in the "available" mode (ready for use), with the light indicator in solid GREEN.

Stage 2: Waiting

The user removes the plug from the station and connects it to the vehicle. After the connection to the vehicle, the charging station indication LED will be solid YELLOW.

Stage 3: Charging

If the connection is successful, the station will start charging the electric vehicle, and the indication LED will be solid BLUE.

Stage 4: End

To end the charging process, two methods can be used:

User intervention: in this case, the charging must be ended through the vehicle. Each vehicle has its own method for ending the charging. For this method, we recommend reading the vehicle manual for the correct interruption of the process.

Complete charge: after the electric vehicle battery is fully charged, the connector will remain locked until the vehicle stops the charging process.

The station LED will be YELLOW, indicating that the charge is complete, and the user intervention is required.

After disconnecting the charging cable, the station will return to the start status, with LED solid GREEN. Available for the next charge.

DANGER!

- Do not force the vehicle disconnection by pulling the charging cable. First interrupt the charge through your vehicle, and only after the release remove the plug.
- Some electric vehicles allow the engine to start with the charging cable connected.
- Be sure to disconnect the cable before moving the vehicle.

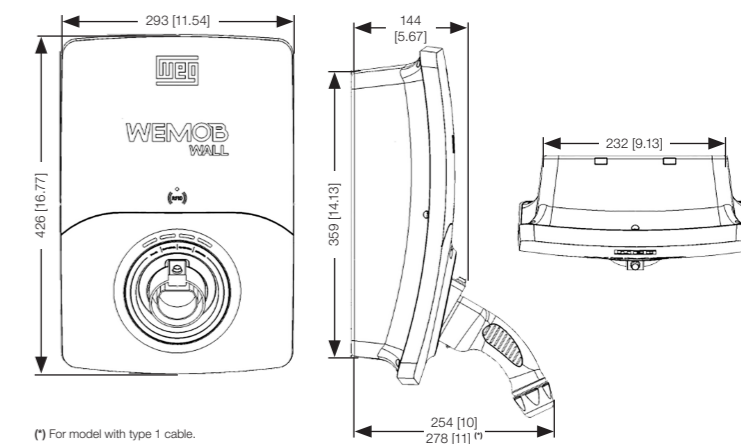
6.3 ERRORS AND FAULTS

If any error, fault or activation of the internal protections is identified, the station LED will be solid or blinking RED and you will hear a beep.

Fault: When the LED is solid RED, the station needs intervention; turn the equipment off and on.

Error: Once the condition that generated the error is eliminated, the station will automatically reset, returning to the "available" condition.

7 DIMENSIONS



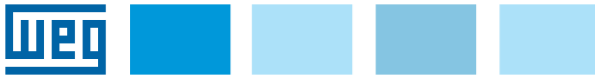
(*) For model with type 1 cable.

Figure 7.1: Dimensions of the WEMOB-WALL charging station in mm [in]

ANATEL
17035-20-03402

"This equipment is not entitled to protection against harmful interference and cannot cause duly authorized interference."
"It incorporates product approved by ANATEL under number 17035-20-03402".

NOTE!
WEMOB® is a trademark of WEG S/A.



Español

Documento: 10007832612 / 05

Guía de Instalación Rápida WEMOB-WALL G2 Modelos 1T1/1T2 (32 A)



15588077

Estación de Recarga para Vehículos Eléctricos (VE)

1 INSTRUCCIONES DE SEGURIDAD

Deben ser seguidos todos los procedimientos de seguridad descritos en esta guía de instalación rápida y en el manual de instalación y operación de la estación de recarga para vehículos eléctricos WEMOB-WALL G2. Los procedimientos recomendados tienen como objetivo proteger al usuario contra muerte, heridas graves y daños materiales considerables. Seguir también las normas de instalaciones eléctricas aplicables a su localidad.

1.1 INFORMACIONES GENERALES

Esta guía de instalación rápida contiene las informaciones básicas necesarias para instalación, configuración y operación de la estación de recarga para vehículos eléctricos WEMOB-WALL.

1.2 RECOMENDACIONES PRELIMINARES

- ¡PELIGRO!**
 - Solamente personas con cualificación adecuada y familiaridad con la estación de recarga y equipos asociados deben planear o implementar la instalación, arranque, operación y mantenimiento de este equipo.
 - Estas personas deben seguir todas las instrucciones de seguridad contenidas en esta guía, en el manual de instalación y operación y/o definidas por normas locales.
 - No seguir las instrucciones de seguridad puede resultar en riesgo de vida y/o daños en el equipo.
 - Una estación de recarga dañada debe ser retirada de servicio y reparada. La reparación sólo debe ser realizada por el fabricante o por el representante de éste. No es permitida ninguna alteración o modificación en la estación de recarga.
 - Siempre desconecte la alimentación general antes de tocar cualquier componente eléctrico asociado a la estación de recarga para vehículos eléctricos.

1.3 CONTENIDO DEL EMBALAJE

- Estación de recarga para vehículos eléctricos WEMOB-WALL G2.
- Kit de instalación: (04 tornillos autorroscantes 4,8 x 38 mm, 04 tacos plásticos Ø 8 mm, 01 llave "L" torx T20, 04 anillos de goma para sellado, 01 soporte metálico de fijación).
- Plantilla de perforación.
- Guía de instalación rápida.

1.4 RECEPCIÓN Y ALMACENAMIENTO

La estación de recarga WEMOB-WALL es suministrada embalada en caja de cartón. En la parte externa de este embalaje existe una etiqueta que describe las características principales del producto: modelo, ítem de stock WEG, número de serie, fecha de fabricación, etc.

Verifique si:

- La etiqueta de identificación corresponde al modelo comprado.
- Ocurrieron daños durante el transporte. En caso de que sea detectado algún problema, contacte inmediatamente a la transportadora.
- Si la estación de recarga WEMOB-WALL no fuera instalada inmediatamente, manténgala dentro del embalaje cerrado y almacénala en un lugar limpio y seco, con temperatura entre - 25 °C y + 80 °C.

Para abrir el embalaje:

- Coloque el embalaje sobre una mesa.
- Abra el embalaje.
- Retire el producto.

2 VISIÓN GENERAL



Figura 2.1: Visión general de la WEMOB-WALL

(*) Botón liberación/trabamiento de plug solamente presente en el modelo de estación de recarga WEMOB-WALL con cable tipo 2. (**) El cable de alimentación no está incluido con el producto.

2.1 OPCIONES

La estación de recarga WEMOB-WALL puede poseer cable de recarga con plug tipo 1 o tipo 2, conforme el modelo comprado.



Figura 2.2: Plugs de recarga tipo 1 y tipo 2

3 INSTALACIÓN

Las orientaciones y sugerencias deben ser seguidas para el correcto funcionamiento y la seguridad de personas y equipos. Los procedimientos son divididos en:

- Instalación mecánica.
- Instalación eléctrica.

4 INSTALACIÓN MECÁNICA

La estación de recarga WEMOB-WALL fue proyectada para uso interno o externo, para fijación en pared de garaje o de estacionamiento, postes, columnas, tótems o similares. En ese sentido, es necesario garantizar algunos requisitos para protección del dispositivo en el lugar de instalación.

4.1 CONDICIONES AMBIENTALES

Los siguientes criterios deben ser considerados para selección del local de instalación adecuado:

- Para garantizar una fijación segura, verifique la condición de la pared antes de instalar.
- La superficie de montaje debe ser suficientemente estable y resistente para soportar las fuerzas mecánicas.
- No instalar la estación de recarga en superficies horizontales o inclinadas.
- No instalar la estación de recarga en áreas con riesgo de inundación.
- Evitar fijación en superficie inestable, móvil o irregular.
- Evitar la fijación debajo de objetos o muebles suspendidos que puedan caer y dañarla.
- Si los tornillos y tacos incluidos en el kit de instalación no fueran los adecuados para la superficie, consiga material de fijación específico para el tipo de superficie existente.
- Determine la posición de estacionamiento del vehículo para certificarse de que el cable de recarga de la estación alcance el tomacorriente de recarga del vehículo eléctrico.
- No instale la estación de recarga próxima a vías de tráfico de peatones y/o vehículos, en que el cable de recarga cruce estas vías.
- Si es instalada en columna, tótem, poste o similares, debe ser previsto un espacio mínimo de 1 m alrededor de la estación, de forma de permitir la circulación de los usuarios. Se recomienda prever barrera física para evitar colisión entre vehículos y la estación de recarga.

Condiciones ambientales permitidas para funcionamiento:

- Temperatura: - 25 °C a 50 °C.
- Humedad relativa del aire: 5 % a 95 % sin condensación.
- Altitud máxima: 2000 m por encima del nivel del mar - condiciones nominales. Para aplicaciones superiores, consultar a WEG.

Para garantizar condiciones adecuadas de operación y mayor vida útil de la estación, deben ser cumplidos los requisitos a seguir:

- No instalar la estación en caja cerrada o próxima a aparatos que emitan calor.
- No instalar la estación en ambientes sin circulación de aire.
- Siendo posible, proteja la estación de recarga de la exposición directa de rayos solares, lluvia, humedad excesiva, brisa marina, tempestades eléctricas u otras condiciones climáticas adversas.
- No derramar agua ni otros líquidos dentro del equipo.
- Evite la exposición a gases, vapores, líquidos inflamables, explosivos o corrosivos.
- No exponer a vibración excesiva.
- No exponer la estación de recarga a polvo, partículas metálicas o aceites suspendidos en el aire.
- Evite la exposición a chorros fuertes de agua, como lavadora de alta presión, manguera de jardín, etc.
- Limpie periódicamente la parte externa de la estación, el cable y el plug de recarga.
- Efectúe la limpieza con la estación desconectada.
- Nunca efectúe la limpieza mientras el vehículo eléctrico está siendo cargado.
- Utilice solamente un paño suave y seco para limpieza.
- No utilice paños, esponjas o detergentes abrasivo.
- No utilice solventes ni productos químicos.
- Si la estación de recarga estuviera muy sucia, utilice un paño levemente humedecido en agua y jabón neutro, para remover el polvo y la suciedad acumulada. Remueva todo residuo de jabón, luego de la limpieza.

4.2 POSICIONAMIENTO

Escoja una superficie de montaje vertical plana, suficientemente estable y resistente para soportar las fuerzas mecánicas, con un espacio libre de al menos 200 mm en las laterales y en la parte superior de la estación de recarga, para fines de ventilación y almacenamiento del cable de recarga luego del uso.

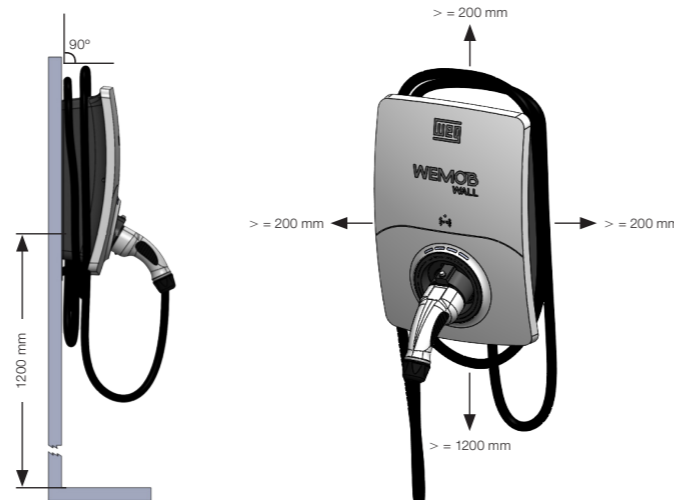


Figura 4.1: Posición de montaje y distanciamiento de la WEMOB-WALL

- ¡NOTA!**
 - Recomendamos montar la estación de recarga a una altura de 1,2 m, considerando la distancia del tomacorriente de carga con relación al suelo. Observe qué normas locales pueden limitar esa altura.

4.3 FIJACIÓN

- ¡ATENCIÓN!**
 - Antes de instalar la estación de recarga, asegúrese de que no hay cables eléctricos, electroductos, caños de agua, tubería de gas u otras obstrucciones en las proximidades de los puntos de perforación.

La estación de recarga WEMOB-WALL puede ser fijada de formas diferentes, para así atender la necesidad del local de instalación. Para ambientes que requieren mayor seguridad, la estación tiene fijaciones internas (I1, I2, I3 e I4), accesibles solamente con la apertura de la tapa frontal. En los demás ambientes, la estación puede ser fijada sin la apertura de la tapa frontal, con tornillos accesibles por la parte externa (E1, E2, E3 y E4) o utilizando un soporte metálico (E1, E2, E5 y E6), que garantiza una mejor fijación.

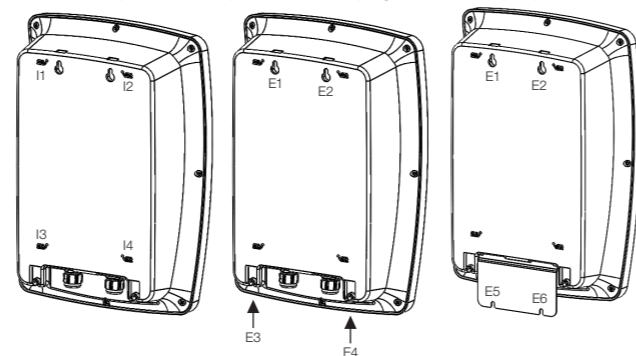
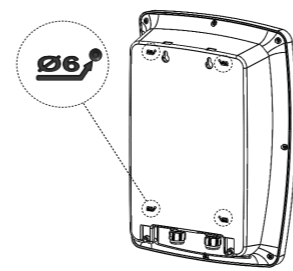


Figura 4.2: Métodos de fijación de la WEMOB-WALL

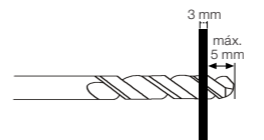
4.3.1 Fijación Interna

La fijación por la parte interna de la estación requiere la apertura de la tapa frontal. Los puntos de fijación I1, I2, I3 e I4 salen de fábrica cerrados y para abrirlos es necesario el uso de una broca de diámetro Ø 6 mm. Siga los procedimientos de abajo:

- Localice los cuatro (04) puntos de perforación demarcados en la base trasera de la estación de recarga.



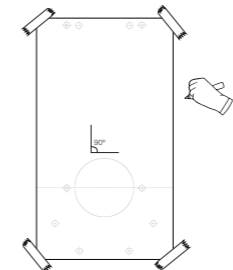
- Con auxilio de una taladradora con broca de diámetro Ø 6 mm haga los cuatro (04) orificios.



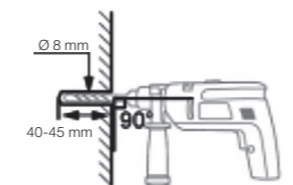
- ¡ATENCIÓN!**
 - Perfore como máximo 5 mm, bajo riesgo de alcanzar y dañar componentes internos. Utilice un limitador de profundidad.
 - Asegúrese de que la pared plástica interna esté perfectamente lisa y sin rebabas. En caso de que quede alguna rebaba, remuévala cuidadosamente para no afectar el sellado.

- Posicione la plantilla de perforación sobre la superficie, ajuste la altura de instalación y la nivelación. Siendo necesario utilice un nivel de burbuja de aire.

- Marque los cuatro orificios (I1, I2, I3 e I4) utilizando la plantilla de perforación.

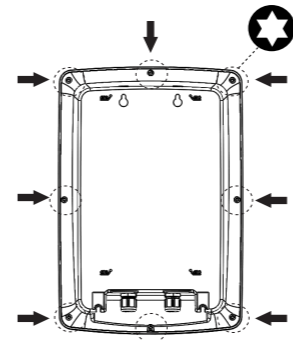


- Retire la plantilla de perforación y haga, con el auxilio de una taladradora, los cuatro (04) orificios con una broca de diámetro Ø 8 mm.

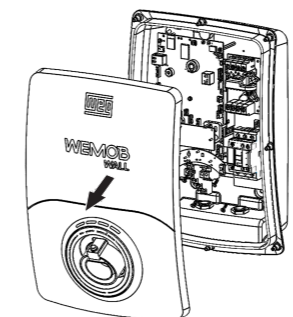


- Inserte los cuatro (04) tacos plásticos de diámetro Ø 8 mm en los orificios.

- Utilizando la llave "L" torx T20, remueva los ocho (08) tornillos en el lado inferior de la tapa frontal.



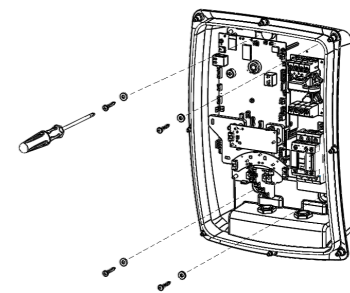
- Remueva la tapa frontal tirando de ella hacia adelante.



- Coloque la tapa en un local seguro, sin riesgo de caídas o sujeta a impactos.

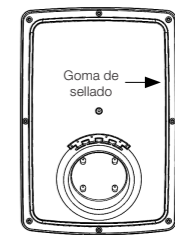
- Aproxime la estación de recarga a la pared y alinee los orificios de la base trasera con los orificios en la pared.

- Inserte los anillos de sellado en los cuatro (04) tornillos, alinee los tornillos con los orificios y apriételes.



- ¡ATENCIÓN!**
 - Tenga el cuidado de no dañar las placas de circuitos o los componentes de la estación de recarga.
 - Las tarjetas electrónicas poseen componentes sensibles a descarga electrostática. No toque directamente los componentes o conectores.
 - No apriete mucho los tornillos, bajo riesgo de dañar la parte plástica.
 - La superficie de instalación debe ser completamente plana, para que no permita deformaciones.

- Luego de finalizada la fijación de la estación de recarga, instale nuevamente la tapa frontal.



- ¡ATENCIÓN!**
 - Posicione correctamente la goma de sellado de la tapa frontal.
 - El apriete de los tornillos debe ser hecho en "X" para que la goma de sellado se comprima de igual forma por toda la extensión de la tapa.
 - En caso de que sean detectados problemas con la goma de sellado o con los prensacables, se recomienda el cambio del elemento defectuoso inmediatamente.
 - Cualquier problema con los sellados puede afectar el grado de protección.

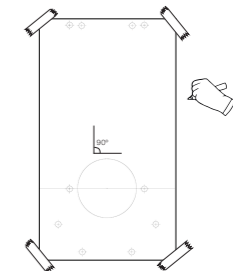
4.3.2 Fijación Externa

La fijación por la parte externa de la estación no requiere la apertura de la tapa frontal. Siga los procedimientos de abajo:

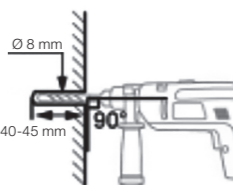
- Posicione la plantilla de perforación sobre la superficie, ajuste la altura de instalación y la nivelación. Siendo necesario utilice un nivel de burbuja de aire.

- Para fijación sin soporte metálico (accesorio), marque los cuatro orificios (E1, E2, E3 y E4) utilizando la plantilla de perforación.

Para fijación con el soporte metálico, marque los puntos E1, E2, E5 y E6.



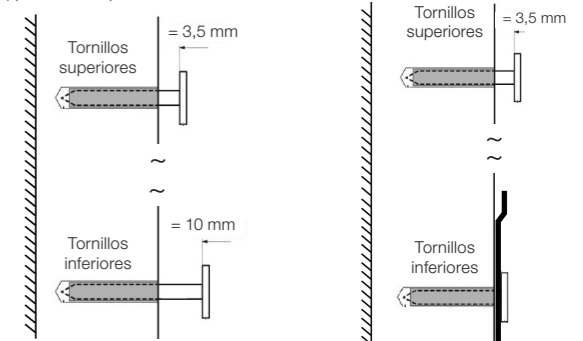
- Retire la plantilla de perforación y haga, con el auxilio de una taladradora, las cuatro (04) perforaciones con una broca de diámetro Ø 8 mm.



- Inserte los cuatro (04) tacos plásticos de diámetro Ø 8 mm.

- Para fijación sin el soporte metálico (accesorio) (a), introduzca los cuatro (04) tornillos (E1, E2, E3 y E4) y apriételes, dejando una distancia, desde la cabeza del tornillo hasta la pared, de 3,5 mm para los tornillos superiores (E1 y E2) y 10 mm para los tornillos inferiores (E3 y E4).

Para fijación con el soporte metálico (b), introduzca los cuatro (04) tornillos (E1, E2, E5 y E6) y apriételes dejando una distancia de 3,5 mm de la pared para los tornillos superiores (E1 y E2). Los tornillos inferiores (E5 y E6) pueden ser apretados hasta el final.

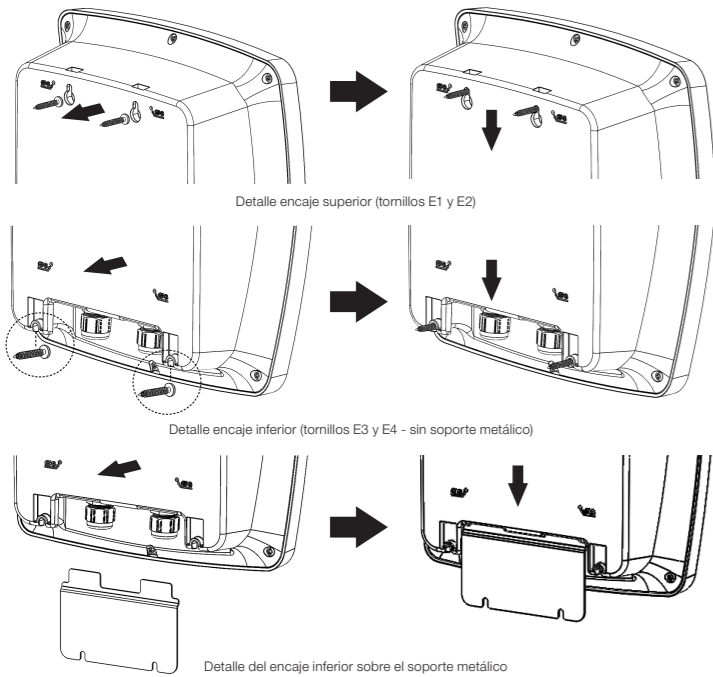


(a) Fijación sin el soporte metálico

(b) Fijación con el soporte metálico

Figura 4.3: Formas de fijación externa

6. Aproxime la estación de recarga a los puntos de fijación superiores (E1 y E2), alinee la abertura mayor con las cabezas de los tornillos y deslicela hacia abajo hasta su completo encaje sobre los tornillos (E3 y E4) o sobre el soporte metálico.



7. Asegúrese de que la estación esté bien fijada y, siendo necesario, haga el ajuste de la distancia de la cabeza de los tornillos hasta la pared, para dejarla más firme.

5 INSTALACIÓN ELÉCTRICA

¡PELIGRO!

- Asegúrese de que la red de alimentación esté desconectada antes de iniciar las conexiones.
- La tensión de la red de alimentación debe ser compatible con el rango de tensión de la WEMOB-WALL.
- La estación de recarga debe ser obligatoriamente conectada a un tierra de protección (PE). Para la puesta a tierra no utilice el neutro, sino un conductor específico. La resistencia de puesta a tierra debe ser menor a 100 Ω o inferior al valor máximo definido en las normas de instalación eléctrica aplicables, y la tensión entre neutro y tierra menor a 10 V.
- La estación de recarga WEMOB-WALL no tiene un interruptor de energía (llave Enciende/ Apaga). La estación puede ser encendida o apagada a través del disyuntor o interruptor diferencial residual (RCD o DR), ubicado en el cuadro de distribución.

¡ATENCIÓN!

- No pueden ser utilizados adaptadores, convertidores ni extensiones eléctricas.
- Los cables de alimentación y de recarga deben ser direccionados directamente a través del prensacables PG16 (área de cierre Ø cable 10 a 14 mm), en conformidad con un rayo de curvatura aproximado de 10 veces el diámetro del cable, para no ejercer fuerzas mecánicas sobre la estación.
- Mantenga la rosca del prensacables siempre correctamente apretada, para así evitar la entrada de polvo y de líquidos en el interior de la estación de recarga. El torque recomendado para el apriete de las tuercas es de 5 a 6 Nm.
- Cuando sean utilizados cables flexibles para las conexiones de alimentación y de puesta a tierra, será necesario utilizar terminales adecuados en las puntas de los cables.
- Todas las conexiones eléctricas deben ser firmemente apretadas, de forma de que no haya riesgo de chispeo, calentamiento excesivo o caída de tensión en los circuitos.
- Se recomienda la utilización de conductores de cobre.
- La estación de recarga tiene una salida a relé, con contactos normalmente abiertos (NA), cuya corriente no debe sobrepasar 1 A. Si su vehículo eléctrico requiere ventilación durante el proceso de recarga, el sistema de ventilación debe ser conectado a la estación, a través de los bornes V1 y V2. El torque recomendado para el apriete de los tornillos es de 0,4 a 0,6 Nm.

5.1 SELECCIÓN DE LA CORRIENTE NOMINAL

¡ATENCIÓN!

- La estación de recarga WEMOB-WALL es ajustada de fábrica para su corriente máxima de salida (32 A). En caso de que sea necesario, haga el ajuste del valor de la corriente de salida.

La potencia de salida máxima del cargador de pared será de 7,68 kW cuando la estación sea energizada en 240 V (monofásico o bifásico) y corriente de salida de 32 A.

En determinadas instalaciones eléctricas no es posible utilizar el máximo de potencia suministrada por la estación de recarga, debido a las limitaciones de la red. La estación de recarga WEMOB-WALL permite ajuste de la corriente nominal de 6 a 32 A.

Para ajuste de la corriente nominal, con la red de alimentación desconectada, siga las instrucciones de abajo:

¡NOTA!

La potencia de salida depende de la tensión de entrada y de la corriente de salida ajustada.

- Abra la tapa frontal.
- Localice, en la parte superior de la placa electrónica, las llaves dip switch.
- Utilice un destornillador pequeño u otra herramienta adecuada y ajuste las llaves, conforme la Tabla 5.1.
- Instale nuevamente la tapa frontal.

¡NOTA!

- Los detalles de la apertura y cierre de la tapa frontal son presentados en el Ítem 4.3.1 Fijación Interna.

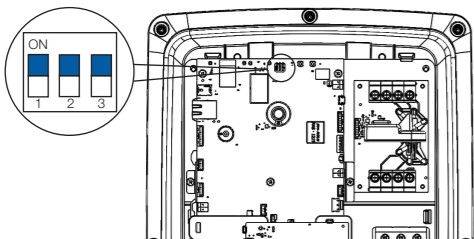


Figura 5.1: Llaves de selección de la corriente nominal

Tabla 5.1: Ajuste de la corriente nominal

Posición de las Llaves			Corriente Nominal
1	2	3	
OFF	OFF	OFF	6 A
OFF	OFF	ON	8 A
OFF	ON	OFF	10 A
OFF	ON	ON	12 A
ON	OFF	OFF	16 A
ON	OFF	ON	20 A
ON	ON	OFF	24 A
ON	ON	ON	32 A

¡NOTA!

- Tenga cuidado de no dañar las placas de circuitos o los componentes durante el ajuste de la corriente nominal.

¡PELIGRO!

- El ajuste de las llaves de selección de la corriente nominal debe ser realizado con la red de alimentación desconectada. El ajuste con la red de alimentación energizada, además de peligroso, no es reconocido por el sistema.
- Asegúrese de que el vehículo eléctrico sea tolerante a corrientes de recarga elevadas. En caso de dudas consulte el manual o el fabricante del vehículo eléctrico.

5.2 CABLE DE ALIMENTACIÓN

El cable de alimentación de la estación de recarga debe ser instalado de forma aparente, direccionado directamente a través del prensacables ubicado en la parte inferior de la estación.

El diámetro externo del cable debe estar dentro del área de cierre del prensacables que es de 10 a 14 mm. El revestimiento del cable debe ser visible hasta el pasaje por la abrazadera de fijación. Sólo después del pasaje por la abrazadera de fijación, el cable deberá ser pelado para conexión de la cableado con los bornes. Encurte los cables de conexión para el largo adecuado. Manténgalos lo más cortos posible, evitando sobras innecesarias.

La estación de recarga WEMOB-WALL puede ser conectada a las redes eléctricas monofásicas o bifásicas (sin neutro), con tensión nominal de 100 a 240 V ±10 % (50/60 Hz).

- Monofásica (L1 / N).
- Bifásica (L1 / L2).

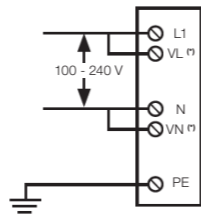


Figura 5.2: Conexión eléctrica interna

¡ATENCIÓN!

(*) Para protección contra picos de tensión, la fuente electrónica es protegida por varistores. Algunos modelos de estación de recarga presentan los varistores incorporados en una tarjeta electrónica y no exigen conexiones por parte del usuario. Si la estación de recarga presenta las conexiones de los varistores junto a la regla de bornes, conecte obligatoriamente los terminales VN (Varistor / Neutro) y VL (Varistor / Fase L1) a los terminales neutro (N) y fase (L1) de los bornes de alimentación.

- La estación de carga debe estar conectada a un tierra de protección (PE).

Para la corriente nominal de 32 A se recomienda utilizar conductores con calibres mínimos de: FASE: 1x6 mm², NEUTRO: 1x6 mm² y TIERRA: 1x6 mm².

El calibre adecuado de los conductores del cable de alimentación depende de la potencia y de la distancia de la caja de distribución o cuadro de disyuntores hasta la estación de recarga. Observe posibles factores de corrección de la capacidad de corriente de los cables, en razón de la forma de instalación, temperatura, distancia y caída de tensión. Bajo ciertas circunstancias, eso puede llevar al aumento de la sección transversal del cable.

Los bornes de conexión de los cables de alimentación, puesta a tierra, varistores y ventilador, poseen las siguientes características:

Tabla 5.2: Características de los bornes de conexión

Borne	Neutro (N) y Fase (L1)	Tierra (PE)	Varistores (VN / VL) y Ventilador (V1 / V2)
Capacidad de conexión	Cable rígido	1,5 ... 16 mm ²	0,5 ... 4 mm ²
	Cable flexible	1,5 ... 10 mm ²	1,5 ... 2,5 mm ²
	Conductor AWG	16 ... 6	16 ... 8
Decapado del cable	12 mm	12 mm	10 mm
Torque de apriete	1,2 a 1,8 Nm	1,2 a 1,8 Nm	0,4 a 0,6 Nm

5.3 DISPOSITIVOS DE PROTECCIÓN

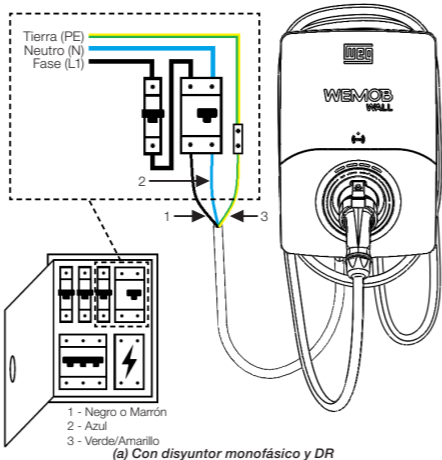
¡ATENCIÓN!

- La estación de recarga WEMOB-WALL debe ser conectada a un disyuntor de protección (curva C) y a un interruptor diferencial residual (RCD o DR) de sensibilidad de 30 mA (CA) tipo A, exclusivos para el circuito de alimentación de la estación de recarga.

Al seleccionar el disyuntor de protección anterior de la estación de recarga, examine el tablero de distribución o el cuadro de disyuntores, a fin de identificar la corriente disponible en el local de la instalación. Bajo ciertas circunstancias, debido a la imposibilidad de instalación de la potencia pretendida, eso puede tornar necesaria una reducción del valor predefinido de la corriente nominal de recarga.

Determine la corriente nominal de trabajo del disyuntor, de acuerdo con los datos suministrados por el fabricante, la corriente de recarga pretendida ajustada vía llave dip switch, el calibre y el largo del cable de alimentación.

También tome en consideración el factor de reducción de la corriente nominal del disyuntor, en función de la temperatura ambiente en el tablero de distribución o cuadro de disyuntores.



(a) Con disyuntor monofásico y DR

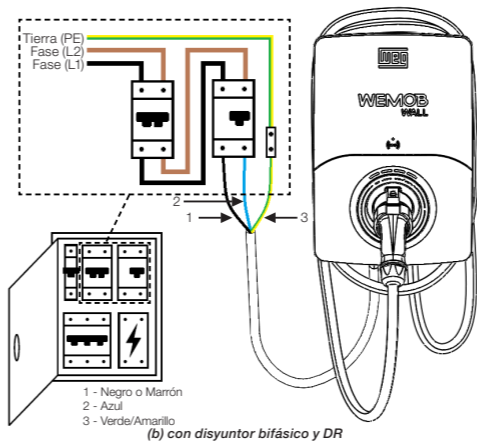


Figura 5.3: (a) y (b) ejemplos de conexión eléctrica monofásica (L1-N-PE) y bifásica (L1-L2-PE)

¡ATENCIÓN!

- En instalaciones bifásicas (sin neutro) utilice un disyuntor bipolar.

¡NOTA!

Para la corriente de salida ajustada en 32 A, se recomienda el uso de los ítems WEG:

- Disyuntor monofásico MDWH-C40 40 A curva C (11422717) o disyuntor bifásico MDWH-C40-2 40 A curva C (11422719) con I_t de 50 kA's, clase de limitación de energía 3 y capacidad de interrupción de cortocircuito de 6 kA.
- DR RDWH-A-30-40-2-D62 40 A/30 mA tipo A (14763941).
- La codificación de colores de los cables de alimentación presentada en la Figura 5.3 es meramente ilustrativa y puede no seguir un estándar internacional.

5.4 CABLE DE RECARGA

La estación de recarga WEMOB-WALL es suministrada con un cable de recarga tipo 1 o 2, con 5 o 7 m de largo, ya conectado a los bornes de conexión internos de la estación de recarga, adecuado para la corriente nominal de 32 A.

¡ATENCIÓN!

- Asegúrese de que el plug del cable de recarga (tipo 1 o 2) de la estación sea compatible con el tomacorriente de su vehículo eléctrico.

Para liberar el cable de recarga del stecker, en las estaciones de recarga con cable tipo 1, presione el gatillo ubicado en la parte inferior del plug (1) y tire del plug hacia atrás (2). En las estaciones de recarga con cable tipo 2, presione el botón plástico ubicado encima del stecker (1) y tire del plug hacia atrás (2).

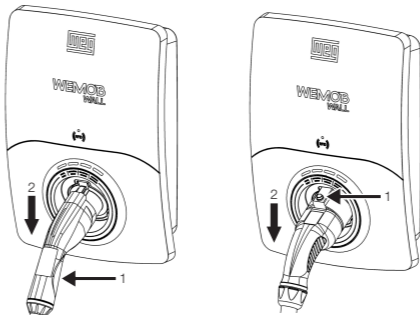


Figura 5.4: (a) y (b) Procedimiento para retirada del plug del stecker en las estaciones de recarga con cables tipo 1 y tipo 2

¡NOTA!

- Al finalizar la recarga del vehículo eléctrico, enrolle el cable en torno de la estación de recarga e inserte el plug en el stecker de la tapa frontal. No deje el cable de recarga en el piso.

Siga las instrucciones de abajo para evitar daños al cable de recarga:

- Desenrolle todo el cable de recarga antes de iniciar el uso.
- No permita que la punta del cable (plug) caiga en el piso.
- Nunca conecte el cable de recarga a un cable de extensión o a un adaptador.
- Nunca desconecte el cable de recarga, sea de la estación o del vehículo eléctrico, tirando de éste.
- No tirar con fuerza del cable de recarga.
- Asegúrese de que el cable de recarga no entre en contacto con fuentes de calor, objetos puntiagudos o cortantes.
- No sumerja el cable de recarga en agua ni en otros líquidos.
- No usar este producto si el cable de recarga está desgastado, con el aislamiento dañado, sucio o si presenta cualesquiera otras señales de daños.
- Un cable de recarga deteriorado puede provocar cortocircuito, incendio o shock eléctrico.
- Proteja el plug de conexión del vehículo eléctrico contra la entrada de líquidos o cuerpos extraños.
- No usar este producto si el plug de recarga presentara señales de corrosión o con cuerpos extraños en el interior del plug.
- No haga alteraciones ni adaptaciones en el plug.
- Asegúrese de que el cable de recarga no cruce vías de tráfico de peatones o vehículos, siendo pisado o sometido a tensiones mecánicas (doblado, estrado o atascado), pudiendo causar caídas de peatones, daños a los cables o a la estación de recarga.

6 OPERACIÓN

Tras la finalización de la instalación mecánica y eléctrica, la estación de recarga estará apta para entrar en funcionamiento. Conecte el disyuntor y el interruptor diferencial residual (RCD o DR) en el cuadro de distribución. Al energizar la estación de recarga, ésta señaliza en color VERDE continuo, indicando que está disponible para iniciar una recarga. Si la estación de recarga no fuera utilizada por un largo período de tiempo, se recomienda mantenerla desconectada.

¡PELIGRO!

- Antes de operar la estación de recarga, haga una inspección visual en busca de daños.
- Una estación de recarga dañada debe ser retirada de servicio y reparada.
- No permita que la estación de recarga sea operada por niños o por personas con capacidades mentales o sensoriales reducidas.

6.1 SEÑALIZACIÓN

Los LEDs ubicados en la tapa frontal suministran informaciones visuales sobre el status operacional actual de la estación de recarga. Está compuesto por cuatro (04) LEDs, que pueden encenderse (luminoso continuo) o parpadear (luminoso intermitente). Además de eso, pueden ser emitidas señales sonoras para informar su status.

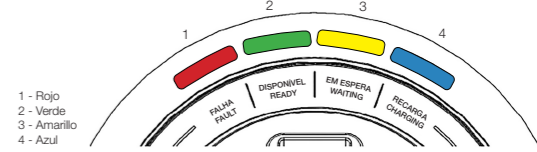


Figura 6.1: LEDs de señalización

Tabla 6.1: Señalización de status

Color del LED	Status	Descripción
Todos los LEDs encendidos intermitentes	INICIALIZANDO	Estación de recarga en autoprueba
Todos los LEDs apagados	APAGADA	Estación de recarga sin alimentación
Verde continuo	DISPONIBLE (READY)	Estación pronta para utilización
Verde intermitente	AUTORIZADO	Usuario autorizado para recargar (solo si la estación requiere autenticación)
Amarillo continuo	EN ESPERA (WAITING)	Vehículo eléctrico conectado y en proceso de reconocimiento
Amarillo intermitente	RECARGA (CHARGING)	Recarga completa o suspendida
Azul continuo	RECARGA (CHARGING)	Recarga en andamiento
Rojo continuo	FALLA (FAULT)	Estación en estado de falla
Rojo intermitente	FALLA (FAULT)	Estación en estado de error

6.2 PROCEDIMIENTO PARA RECARGA

Para iniciar la recarga del vehículo eléctrico, retire el plug del stecker de la estación de recarga y conéctelo en el stecker del vehículo eléctrico. Luego de conectado el plug al vehículo eléctrico, la recarga ocurrirá de forma automática, siguiendo las etapas:

Etapas 1: Disponible

Para iniciar una recarga verifique si la estación está en el modo "disponible" (pronta para utilización), con la indicación luminosa continua en color VERDE.

Etapas 2: En Espera

El usuario retira el plug de la estación y lo conecta en el vehículo. Luego de la conexión con el vehículo, la estación de recarga señalizará en color AMARILLO continuo.

Etapas 3: Recarga

Si la conexión fue exitosa, la estación iniciará la recarga del vehículo eléctrico y señalizará en color AZUL continuo.

Etapas 4: Finalización

Para finalizar una recarga podrán ser adoptados dos métodos:

Intervención por el usuario: en este caso la finalización de la recarga deberá ser realizada a través del vehículo. Cada vehículo tiene su método propio para finalizar una recarga, para tal, recomendamos la lectura del manual del vehículo, para la correcta interrupción del proceso.

Recarga completa: luego de la recarga completa de la batería del vehículo eléctrico, el conector permanecerá trabado hasta la interrupción de la recarga por el vehículo.

La estación señalizará en color AMARILLO, indicando que la recarga está completa y es necesaria la intervención del usuario.

Tras la desconexión del cable de recarga, la estación volverá al status de inicio, señalizando en color VERDE continuo. Disponible para la próxima recarga.

¡PELIGRO!

- No fuerce la desconexión del vehículo tirando del cable de recarga. Interrumpa previamente la recarga a través de su vehículo y solamente tras la liberación, retire el plug.
- Algunos vehículos eléctricos permiten el arranque del motor con el cable de recarga conectado.

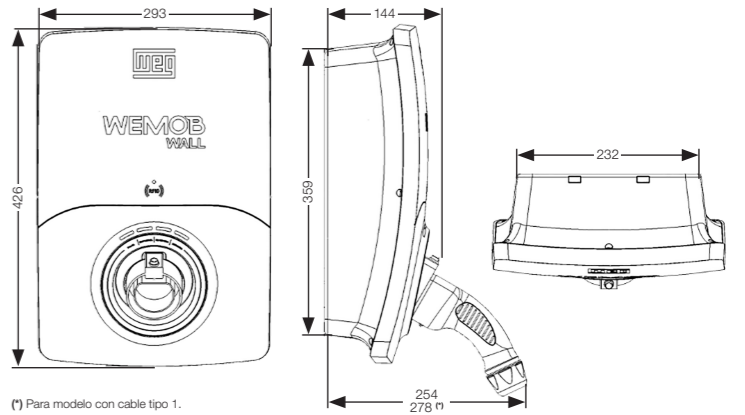
6.3 ERRORES Y FALLAS

En caso de que sea identificado algún error, falla o accionamiento de las protecciones internas, la estación señalizará en color ROJO, de modo continuo o intermitente y un aviso sonoro (bip).

Falla: Señalización en ROJO continuo, la estación necesita de intervención, apague y encienda el equipo.

Error: Señalización en ROJO intermitente, retire el conector del vehículo. Eliminada la condición que generó el error, la estación hará automáticamente un reset, volviendo a la condición "disponible".

7 DIMENSIONES



(*) Para modelo con cable tipo 1.

Figura 7.1: Dimensiones de la estación de recarga WEMOB-WALL en mm

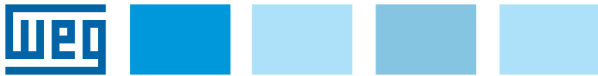
ANATEL
17035-20-03402

"Este equipo no tiene derecho a protección contra interferencia perjudicial, ni puede causar interferencia debidamente autorizados".

"Incorpora producto homologado por ANATEL bajo el número 17035-20-03402".

¡NOTA!

WEMOB® es marca registrada de WEG S/A.



Português

Documentos: 10007832612 / 05



15588077

Guia de Instalação Rápida WEMOB-WALL G2 Modelos 1T1/1T2 (32 A)

Estação de Recarga para Veículos Elétricos (VE)

1 INSTRUÇÕES DE SEGURANÇA

Todos os procedimentos de segurança descritos neste guia de instalação rápida e no manual de instalação e operação da estação de recarga para veículos elétricos WEMOB-WALL G2 devem ser seguidos. Os procedimentos recomendados têm como objetivo proteger o usuário contra morte, ferimentos graves e danos materiais consideráveis. Seguir também as normas de instalações elétricas aplicáveis a sua localidade.

1.1 INFORMAÇÕES GERAIS

Este guia de instalação rápida contém as informações básicas necessárias para instalação, configuração e operação da estação de recarga para veículos elétricos WEMOB-WALL.

1.2 RECOMENDAÇÕES PRELIMINARES

PERIGO!

- Somente pessoas com qualificação adequada e familiaridade com a estação de recarga e equipamentos associados, devem planejar ou implementar a instalação, partida, operação e manutenção deste equipamento.
- Estas pessoas devem seguir todas as instruções de segurança contidas neste guia, no manual de instalação e operação e/ou definidas por normas locais.
- Não seguir as instruções de segurança pode resultar em risco de vida e/ou danos no equipamento.
- Uma estação de recarga danificada deve ser retirada de serviço e reparada. O reparo só deve ser realizado pelo fabricante ou representante deste. Não é permitida nenhuma alteração ou modificação na estação de recarga.
- Sempre desconecte a alimentação geral antes de tocar qualquer componente elétrico associado à estação de recarga para veículos elétricos.

1.3 CONTEÚDO DA EMBALAGEM

- Estação de recarga para veículos elétricos WEMOB-WALL G2.
- Kit de instalação: (04 parafusos auto atarraxantes 4,8 x 38 mm, 04 buchas plásticas Ø 8 mm, 01 chave "L" torx T20, 04 anéis de borracha para vedação, 01 suporte metálico de fixação).
- Gabarito de furação.
- Guia de instalação rápida.

1.4 RECEBIMENTO E ARMAZENAMENTO

A estação de recarga WEMOB-WALL é fornecida embalada em caixa de papelão. Na parte externa desta embalagem existe uma etiqueta que descreve as características principais do produto: modelo, item de estoque WEG, número de série, data de fabricação, etc.

Verifique se:

- A etiqueta de identificação corresponde ao modelo comprado.
- Ocorreram danos durante o transporte. Caso for detectado algum problema, contate imediatamente a transportadora.
- Se a estação de recarga WEMOB-WALL não for logo instalada, mantenha-a dentro da embalagem fechada e armazene em um lugar limpo e seco com temperatura entre - 25 °C e + 80 °C.

Para abrir a embalagem:

- Coloque a embalagem sobre uma mesa.
- Abra a embalagem.
- Retire o produto.

2 VISÃO GERAL



Figura 2.1: Visão geral da WEMOB-WALL.

(*) Botão liberação/travamento do plugue somente presente no modelo de estação de recarga WEMOB-WALL com cabo tipo 2. (**) Cabo de alimentação não acompanha o produto.

2.1 OPÇÕES

A estação de recarga WEMOB-WALL pode possuir cabo de recarga com plugue tipo 1 ou tipo 2, conforme modelo comprado.



Figura 2.2: Plugues de recarga tipo 1 e tipo 2

3 INSTALAÇÃO

As orientações e sugestões devem ser seguidas visando o correto funcionamento e a segurança de pessoas e equipamentos. Os procedimentos são divididos em:

- Instalação mecânica.
- Instalação elétrica.

4 INSTALAÇÃO MECÂNICA

A estação de recarga WEMOB-WALL foi projetada para uso interno ou externo, para fixação em parede de garagem ou de estacionamento, postes, colunas, totems ou similares. Nesse sentido, é necessário garantir alguns requisitos para proteção do dispositivo no lugar de instalação.

4.1 CONDIÇÕES AMBIENTAIS

Os seguintes critérios devem ser considerados para seleção do local de instalação adequado:

- Para assegurar uma fixação segura, verifique a condição da parede antes de instalar.
- A superfície de montagem deve ser suficientemente estável e resistente para suportar as forças mecânicas.
- Não instalar a estação de recarga em superfícies horizontais ou inclinadas.
- Não instalar a estação de recarga em áreas com risco de inundação.
- Evitar fixação em superfície instável, móvel ou irregular.
- Evitar fixação abaixo de objetos ou móveis suspensos que possam cair e danificá-la.
- Se os parafusos e buchas incluídos no kit de instalação não forem os adequados para a superfície, providencie material de fixação específico para o tipo da superfície.
- Determine a posição de estacionamento do veículo para se certificar de que o cabo de recarga da estação alcance a tomada de recarga do veículo elétrico.
- Não instalar a estação de recarga próxima a vias de tráfego de pedestres e/ou veículos, em que o cabo de recarga cruze estas vias.
- Se instalada em coluna, totem, poste ou similares, deve ser previsto um espaço mínimo de 1 m em torno da estação, de forma a permitir a circulação dos usuários. Recomenda-se prever barreira física para evitar colisão entre veículos e a estação de recarga.

Condições ambientais permitidas para funcionamento:

- Temperatura: - 25 °C a 50 °C.
- Umidade relativa do ar: 5 % a 95 % sem condensação.
- Altitude máxima: 2000 m acima do nível do mar - condições nominais. Para aplicações superiores, consultar a WEG.

Para garantir condições adequadas de operação e maior vida útil da estação, devem ser observados os requisitos a seguir:

- Não instalar a estação em caixa fechada ou próxima de aparelhos que emitem calor.
- Não instalar a estação em ambientes sem circulação de ar.
- Se possível, proteja a estação de recarga da exposição direta de raios solares, chuva, umidade excessiva, maresia, tempestades elétricas ou outras condições climáticas adversas.
- Não derramar água ou outros líquidos dentro do equipamento.
- Evite a exposição a gases, vapores, líquidos inflamáveis, explosivos ou corrosivos.
- Não expor a vibração excessiva.
- Não expor a estação de recarga a poeira, partículas metálicas ou óleos suspensos no ar.
- Evite a exposição a jatos fortes de água, como lavadora de alta pressão, mangueira de jardim, etc.
- Limpe periodicamente a parte externa da estação, o cabo e o plugue de recarga.
- Efetue a limpeza com a estação desligada.
- Nunca efetue a limpeza enquanto o veículo elétrico é carregado.
- Utilize apenas um pano macio e seco para limpeza.
- Não utilize panos, esponjas e detergentes abrasivos.
- Não utilize solventes ou produtos químicos.
- Se a estação de recarga estiver muito suja, utilize um pano levemente umedecido em água e sabão neutro, para remover o pó e a sujeira acumulada. Remova todo resíduo de sabão após a limpeza.

4.2 POSICIONAMENTO

Escolha uma superfície de montagem vertical plana, suficientemente estável e resistente para suportar as forças mecânicas, com um espaço livre de no mínimo 200 mm nas laterais e na parte superior da estação de recarga, para fins de ventilação e armazenamento do cabo de recarga após o uso.

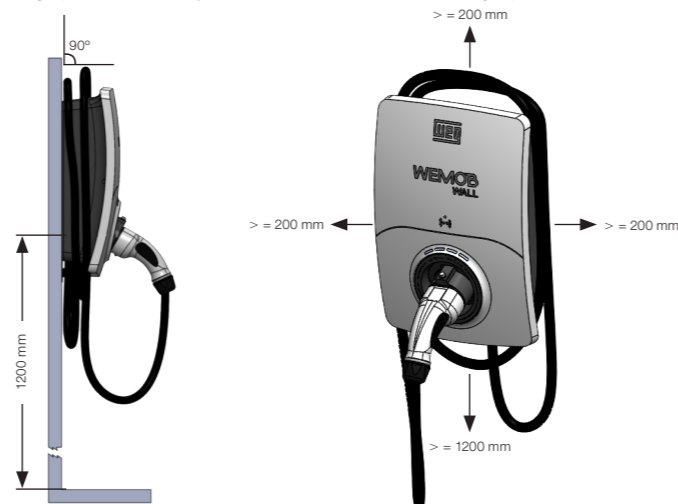


Figura 4.1: Posição de montagem e distanciamento da WEMOB-WALL

NOTA!

- Recomendamos montar a estação de recarga a uma altura de 1,2 m, considerando a distância da tomada de carregamento em relação ao solo. Observe que normas locais podem limitar essa altura.

4.3 FIXAÇÃO

ATENÇÃO!

- Antes de instalar a estação de recarga, certifique-se de que não há cabos elétricos, eletrodutos, canos de água, encanamento de gás ou outras obstruções nas proximidades dos pontos de perfuração.

A estação de recarga WEMOB-WALL pode ser fixada de formas diferentes para atender a necessidade do local de instalação. Para ambientes que requerem maior segurança, a estação possui fixações internas (I1, I2, I3 e I4), acessíveis apenas com a abertura da tampa frontal. Nos demais ambientes, a estação pode ser fixada sem a abertura da tampa frontal, com parafusos acessíveis pela parte externa (E1, E2, E3 e E4) ou utilizando um suporte metálico (E1, E2, E5 e E6), que garante uma melhor fixação.

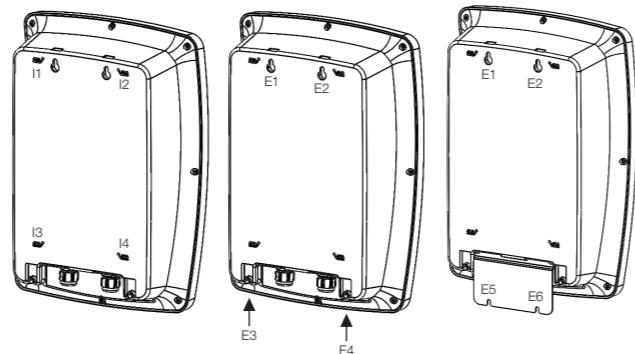
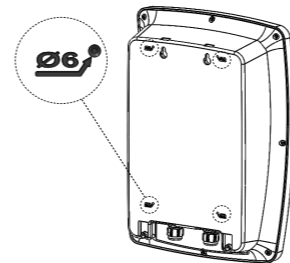


Figura 4.2: Métodos de fixação da WEMOB-WALL

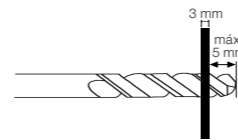
4.3.1 Fixação Interna

A fixação pela parte interna da estação requer a abertura da tampa frontal. Os pontos de fixação I1, I2, I3 e I4 saem de fábrica fechados e para abri-los é necessário o uso de uma broca de diâmetro Ø 6 mm. Siga os procedimentos abaixo:

- Localize os quattros (04) pontos de furação demarcados na base traseira da estação de recarga.



- Com auxílio de uma furadeira com broca de diâmetro Ø 6 mm faça os quatro (04) furos.

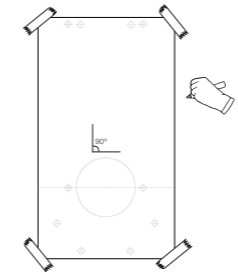


ATENÇÃO!

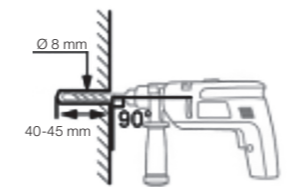
- Perfure no máximo 5 mm, sob risco de atingir e danificar componentes internos. Utilize um limitador de profundidade.
- Certifique-se que a parede plástica interna esteja perfeitamente lisa e sem rebarbas. Caso fique alguma rebarba, remova cuidadosamente para não afetar a vedação.

- Posicione o gabarito de furação sobre a superfície, ajuste a altura de instalação e o nivelamento. Se necessário utilize um nível de bolha de ar.

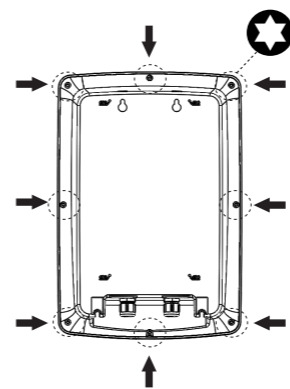
- Marque os quatro furos (I1, I2, I3 e I4) utilizando o gabarito de furação.



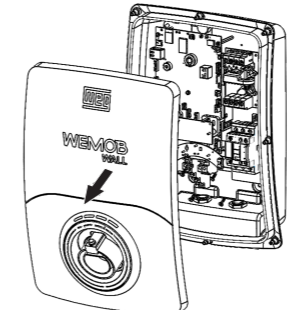
- Retire o gabarito de furação e faça, com o auxílio de uma furadeira, os quatro (04) furos com uma broca de diâmetro Ø 8 mm.



- Insira as quatro (04) buchas plásticas de diâmetro Ø 8 mm nos furos.
- Utilizando a chave "L" torx T20, remova os oito (08) parafusos no lado inferior da tampa frontal.

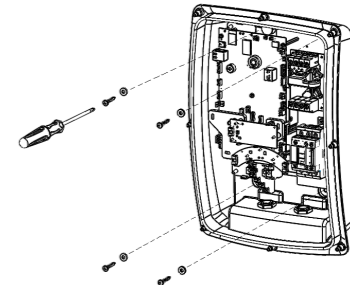


- Remova a tampa frontal puxando-a para frente.



- Coloque a tampa em um local seguro, sem risco de quedas ou sujeita à impactos.
- Aproxime a estação de recarga da parede e alinhe os furos da base traseira com os furos na parede.

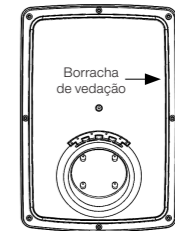
- Insira os anéis de vedação nos quatro (04) parafusos, alinhe os parafusos com os furos e aperte-os.



ATENÇÃO!

- Tenha cuidado para não danificar as placas de circuitos ou os componentes da estação de recarga.
- Os cartões eletrônicos possuem componentes sensíveis a descarga eletrostática. Não toque diretamente sobre os componentes ou conectores.
- Não aperte muito os parafusos, sob risco de danificar a parte plástica.
- A superfície de instalação deve ser completamente plana para que não permita deformações.

- Após finalizada a fixação da estação de recarga, instale novamente a tampa frontal.



ATENÇÃO!

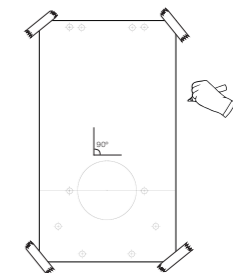
- Posicione corretamente a borracha de vedação da tampa frontal.
- O aperto dos parafusos deve ser feito em "X" para que a borracha de vedação comprima de forma igual por toda a extensão da tampa.
- Caso sejam detectados problemas com a borracha de vedação ou com os prensa-cabos, recomenda-se a troca do elemento defeituoso imediatamente.
- Qualquer problema com as vedações pode afetar o grau de proteção.

4.3.2 Fixação Externa

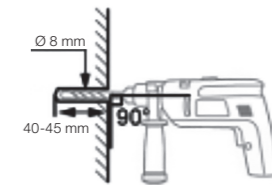
A fixação pela parte externa da estação não requer a abertura da tampa frontal. Siga os procedimentos abaixo:

- Posicione o gabarito de furação sobre a superfície, ajuste a altura de instalação e o nivelamento. Se necessário utilize um nível de bolha de ar.
- Para fixação sem o suporte metálico (acessório), marque os quatro furos (E1, E2, E3 e E4) utilizando o gabarito de furação.

Para fixação com o suporte metálico, marque os pontos E1, E2, E5 e E6.

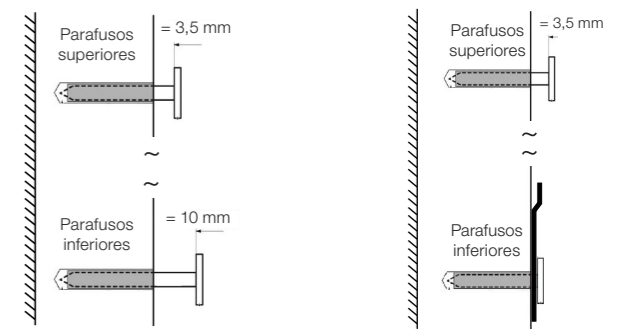


- Retire o gabarito de furação e faça, com o auxílio de uma furadeira, os quatro (04) furos com uma broca de diâmetro Ø 8 mm.



- Insira as quatro (04) buchas plásticas de diâmetro Ø 8 mm.
- Para fixação sem o suporte metálico (acessório) (a), introduza os quatro (04) parafusos (E1, E2, E3 e E4) e aperte-os deixando uma distância da cabeça do parafuso até a parede de 3,5 mm para os parafusos superiores (E1 e E2) e 10 mm para os parafusos inferiores (E3 e E4).

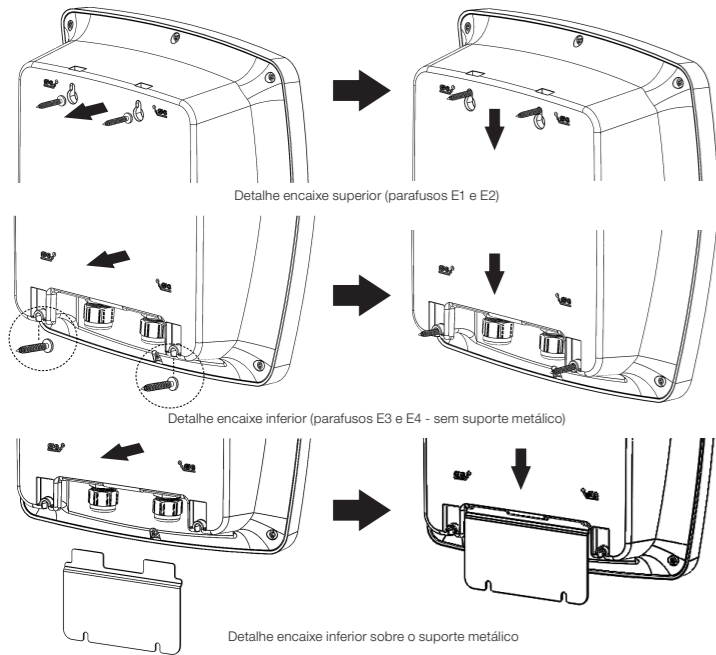
Para fixação com o suporte metálico (b), introduza os quatro (04) parafusos (E1, E2, E5 e E6) e aperte-os deixando uma distância de 3,5 mm da parede para os parafusos superiores (E1 e E2). Os parafusos inferiores (E5 e E6) podem ser apertados até o final.



(a) Fixação sem o suporte metálico (b) Fixação com o suporte metálico

Figura 4.3: Formas de fixação externa

6. Aproxime a estação de recarga dos pontos de fixação superiores (E1 e E2), alinhe a abertura maior com as cabeças dos parafusos e deslize para baixo até o completo encaixe sobre os parafusos (E3 e E4) ou sobre o suporte metálico.



7. Certifique-se que a estação esteja bem fixada e, se necessário, faça o ajuste da distância da cabeça dos parafusos até a parede para deixá-la mais firme.

5 INSTALAÇÃO ELÉTRICA

PERIGO!

- Certifique-se que a rede de alimentação esteja desconectada antes de iniciar as ligações.
- A tensão da rede de alimentação deve ser compatível com a faixa de tensão da WEMOB-WALL.
- A estação de recarga deve ser obrigatoriamente ligada a um terra de proteção (PE).
- Para aterramento não utilize o neutro e sim um condutor específico. A resistência de aterramento deve ser menor que 100 Ω ou inferior ao valor máximo definido nas normas de instalação elétrica aplicáveis e a tensão entre neutro e terra menor que 10 V.
- A estação de recarga WEMOB-WALL não possui um interruptor de energia (chave Liga/Desliga). A estação pode ser ligada ou desligada através do disjuntor ou interruptor diferencial residual (RCD ou DR), localizado no quadro de distribuição.

ATENÇÃO!

- Adaptadores, conversores ou extensões elétricas não podem ser utilizados.
- Os cabos de alimentação e de recarga devem ser direcionados diretamente através dos prensa-cabos PG16 (área de fechamento Ø cabo 10 a 14 mm), em conformidade com um raio de curvatura aproximado de 10 vezes o diâmetro do cabo, para não exercer forças mecânicas sobre a estação.
- Mantenha a rosca do prensa-cabos sempre bem apertada para evitar a entrada de poeira e de líquidos no interior da estação de recarga. O torque recomendado para o aperto das porcas é de 5 a 6 Nm.
- Quando forem utilizados cabos flexíveis para as conexões de alimentação e aterramento, é necessário utilizar terminais adequados nas pontas dos cabos.
- Todas as conexões elétricas devem ser firmemente apertadas de forma a não haver risco de flocamento, aquecimento excessivo ou queda de tensão nos circuitos.
- Recomenda-se a utilização de condutores de cobre.
- A estação de recarga possui uma saída a relé, com contatos normalmente abertos (NA), cuja corrente não deve ultrapassar 1 A. Se seu veículo elétrico requer ventilação durante o processo de recarga, o sistema de ventilação deve ser conectado a estação através dos bornes V1 e V2. O torque recomendado de aperto dos parafusos é de 0,4 a 0,6 Nm.

5.1 SELEÇÃO DA CORRENTE NOMINAL

ATENÇÃO!

- A estação de recarga WEMOB-WALL é ajustada em fábrica para sua corrente máxima de saída (32 A). Caso for necessário, faça o ajuste do valor da corrente de saída.

A potência de saída máxima do carregador de parede é de 7,68 kW quando a estação for energizada em 240 V (monofásico ou bifásico) e corrente de saída de 32 A.

Em determinadas instalações elétricas não é possível utilizar o máximo de potência fornecida pela estação de recarga devido às limitações da rede. A estação de recarga WEMOB-WALL permite ajuste da corrente nominal de 6 a 32 A.

NOTA!

A potência de saída depende da tensão de entrada e a corrente de saída ajustada.

Para ajuste da corrente nominal, com a rede de alimentação desconectada, siga as instruções abaixo:

1. Abra a tampa frontal.
2. Localize na parte superior da placa eletrônica as chaves dip switch.
3. Utilize uma chave de fenda pequena ou outra ferramenta adequada e ajuste as chaves conforme Tabela 5.1.
4. Instale novamente a tampa frontal.

NOTA!

- Detalhes da abertura e fechamento da tampa frontal são apresentados no item 4.3.1 Fixação Interna.

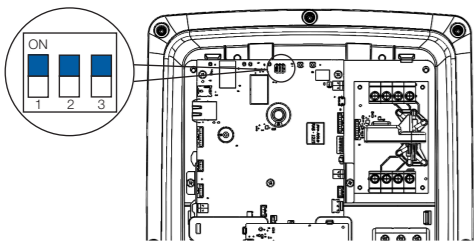


Figura 5.1: Chaves de seleção da corrente nominal

Tabela 5.1: Ajuste da corrente nominal

Posição das Chaves			Corrente Nominal
1	2	3	
OFF	OFF	OFF	6 A
OFF	OFF	ON	8 A
OFF	ON	OFF	10 A
OFF	ON	ON	12 A
ON	OFF	OFF	16 A
ON	OFF	ON	20 A
ON	ON	OFF	24 A
ON	ON	ON	32 A

NOTA!

- Tenha cuidado para não danificar as placas de circuitos ou os componentes durante o ajuste da corrente nominal.

PERIGO!

- O ajuste das chaves de seleção da corrente nominal deve ser realizado com a rede de alimentação desconectada. O ajuste com a rede de alimentação energizada, além de perigoso, não é reconhecido pelo sistema.
- Assegure-se que o veículo elétrico seja tolerante a correntes de recarga elevadas. Em caso de dúvidas consulte o manual ou o fabricante do veículo elétrico.

5.2 CABO DE ALIMENTAÇÃO

O cabo de alimentação da estação de recarga deve ser instalado de forma aparente, direcionado diretamente através do prensa-cabos PG16, localizado na parte inferior da estação. O diâmetro externo do cabo deve estar dentro da área de fechamento do prensa-cabos que é de 10 a 14 mm.

O revestimento do cabo deve ser visível até a passagem pela abraçadeira de fixação. Só após a passagem pela abraçadeira de fixação o cabo deverá ser desencapado para conexão da fiação com os bornes. Encurte os fios de ligação para o comprimento adequado. Mantenha-os o mais curtos possível, evitando sobras desnecessárias.

A estação de recarga WEMOB WALL pode ser conectada às redes elétricas monofásicas ou bifásicas (sem neutro), com tensão nominal de 100 a 240 V ±10 % (50/60 Hz).

- Monofásica (L1 / N).
- Bifásica (L1 / L2).

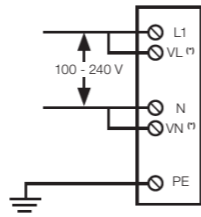


Figura 5.2: Ligação fiação interna

ATENÇÃO!

(*) Para proteção contra surtos, a fonte eletrônica é protegida por varistores. Alguns modelos de estação de recarga apresentam os varistores incorporados em um cartão eletrônico e não exigem conexões por parte do usuário. Se a estação de recarga apresentar as conexões dos varistores junto a régua de bornes, conecte obrigatoriamente os terminais VN (Varistor / Neutro) e VL (Varistor / Fase L1) aos terminais neutro (N) e fase (L1) dos bornes de alimentação.

- A estação de recarga deve ser obrigatoriamente ligada a um terra de proteção (PE).

Para a corrente nominal de 32 A, recomenda-se utilizar condutores com bitolas mínimas de: FASE: 1 x 6 mm², NEUTRO: 1 x 6 mm² e TERRA: 1 x 6 mm².

A bitola adequada dos condutores do cabo de alimentação depende da potência e da distância da caixa de distribuição ou quadro de disjuntores até a estação de recarga. Observe possíveis fatores de correção da capacidade de corrente dos cabos em razão da forma de instalação, temperatura, distância e queda de tensão. Sob certas circunstâncias, isso pode levar ao aumento da seção transversal do cabo.

Os bornes de conexão dos cabos de alimentação, aterramento, varistores e ventilador, possuem as seguintes características:

Tabela 5.2: Características dos bornes de conexão

Borne	Neutro (N) e Fase (L1)	Terra (PE)	Varistores (VN / VL) e Ventilador (V1 / V2)
Capacidade de conexão	Fio rígido	1,5 ... 16 mm ²	1,5 ... 16 mm ²
	Cabo flexível	1,5 ... 10 mm ²	1,5 ... 10 mm ²
	Condutor AWG	16 ... 6	16 ... 8
Decapagem do cabo	12 mm		10 mm
Torque de aperto	1,2 a 1,8 Nm	1,2 a 1,8 Nm	0,4 a 0,6 Nm

5.3 DISPOSITIVOS DE PROTEÇÃO

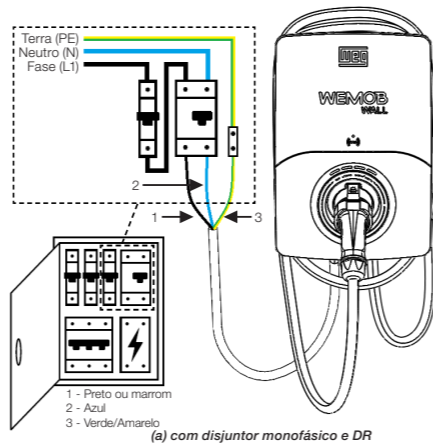
ATENÇÃO!

- A estação de recarga WEMOB-WALL deve ser conectada a um disjuntor de proteção (curva C) e a um interruptor diferencial residual (RCD ou DR) de sensibilidade de 30 mA (CA) tipo A, exclusivos para o circuito de alimentação da estação de recarga.

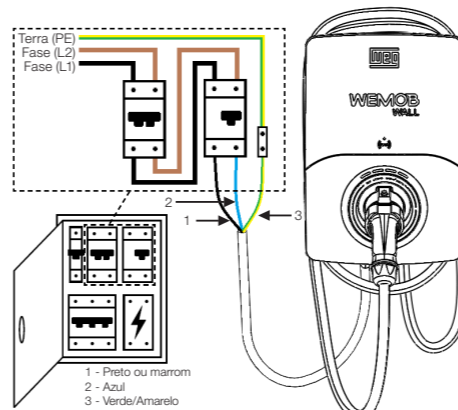
Ao selecionar o disjuntor de proteção a montante da estação de recarga, examine o painel de distribuição ou o quadro de disjuntores, a fim de identificar a corrente disponível no local da instalação. Sob certas circunstâncias, devido a impossibilidade de instalação da potência pretendida, isto pode tornar necessária uma redução do valor predefinido da corrente nominal de recarga.

Determine a corrente nominal de trabalho do disjuntor de acordo com os dados fornecidos pelo fabricante, a corrente de recarga pretendida ajustada via chave dip switch, a bitola e o comprimento do cabo de alimentação.

Também leve em consideração o fator de redução da corrente nominal do disjuntor em função da temperatura ambiente no painel de distribuição ou quadro de disjuntores.



(a) com disjuntor monofásico e DR



(b) com disjuntor bifásico e DR

Figura 5.3: (a) e (b) Exemplos de ligação elétrica monofásica (L1-N-PE) e bifásica (L1-L2-PE)

ATENÇÃO!

- Em instalações bifásicas (sem neutro) utilize um disjuntor bipolar.

NOTA!

Para a corrente de saída ajustada em 32 A, recomenda-se o uso dos itens WEG:

- Disjuntor monofásico MDWH-C40 40 A curva C (11422717) ou disjuntor bifásico MDWH-C40-2 40 A curva C (11422719), com I_t de 50 kA^s, classe de limitação de energia 3 e capacidade de interrupção de curto-circuito de 6 kA.
- DR RDWH-A-30-40-2-D62 40 A/30 mA tipo A (14763941).
- A codificação de cores dos cabos de alimentação apresentados na Figura 5.3 são apenas ilustrativos e pode não seguir um padrão internacional.

5.4 CABO DE RECARGA

A estação de recarga WEMOB-WALL é fornecida com um cabo de recarga tipo 1 ou 2, com 5 ou 7 m de comprimento, já conectado aos bornes de ligação internos da estação de recarga, adequado para a corrente nominal de 32 A.

ATENÇÃO!

- Certifique-se que o plugue do cabo de recarga (tipo 1 ou 2) da estação, seja compatível com a tomada do seu veículo elétrico.

Para liberar o cabo de recarga do soquete, nas estações de recarga com cabo tipo 1, pressione o gatilho localizado na parte inferior do plugue (1) e puxe o plugue para trás (2). Nas estações de recarga com cabo tipo 2, pressione o botão plástico localizado acima do soquete (1) e puxe o plugue para trás (2).

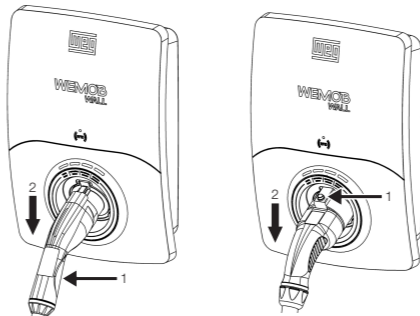


Figura 5.4: (a) e (b) Procedimento para retirada do plugue do soquete nas estações de recarga com cabos tipo 1 e tipo 2

NOTA!

- Ao finalizar a recarga do veículo elétrico, enrole o cabo em torno da estação de recarga e insira o plugue no soquete da tampa frontal. Não deixe o cabo de recarga no chão.

Siga as instruções abaixo para evitar danos ao cabo de recarga:

- Desenrole todo o cabo de recarga antes de iniciar o uso.
- Não permita que a ponta do cabo (plugue) caia no chão.
- Nunca conecte o cabo de recarga a um cabo de extensão ou a um adaptador.
- Nunca desconecte o cabo de recarga, seja da estação ou do veículo elétrico, puxando-o.
- Não puxar com força o cabo de recarga.
- Certifique-se de que o cabo de recarga não entre em contato com fontes de calor, objetos pontiagudos ou cortantes.
- Não mergulhe o cabo de recarga na água ou em outros líquidos.
- Não usar este produto se o cabo de recarga estiver desgastado, com o isolamento danificado, sujo ou apresentar quaisquer outros sinais de danos.
- Um cabo de recarga deteriorado pode provocar curto-circuito, incêndio ou choque elétrico.
- Proteja o plugue de conexão do veículo elétrico contra a entrada de líquidos ou corpos estranhos.
- Não usar este produto se o plugue de recarga apresentar sinais de corrosão ou com corpos estranhos no interior do plugue.
- Não faça alterações ou adaptações no plugue.
- Assegure que o cabo de recarga não cruze vias de tráfego de pedestres e/ou veículos, sendo pisado ou submetido a tensões mecânicas (dobrado, esticado ou preso), podendo causar quedas de pedestres, danos aos cabos e à estação de recarga.

6 OPERAÇÃO

Após a finalização da instalação mecânica e elétrica, a estação de recarga está apta a entrar em funcionamento. Ligue o disjuntor e o interruptor diferencial residual (RCD ou DR) no quadro de distribuição. Ao energizar a estação de recarga, a mesma sinaliza na cor VERDE contínuo, indicando que está disponível para iniciar uma recarga. Se a estação de recarga não for utilizada por um longo período de tempo, recomenda-se mantê-la desligada.

PERIGO!

- Antes de operar a estação de recarga, faça uma inspeção visual em busca de danos.
- Uma estação de recarga danificada deve ser retirada de serviço e reparada.
- Não permita que a estação de recarga seja operada por crianças ou por pessoas com capacidade mentais ou sensoriais reduzidas.

6.1 SINALIZAÇÃO

Os LEDs localizados na tampa frontal fornecem informações visuais sobre o status operacional atual da estação de recarga. É composto por quatro (04) LEDs, que podem acender (luminoso contínuo) ou piscar (luminoso intermitente). Além disso, sinais sonoros podem ser emitidos para informar seu status.

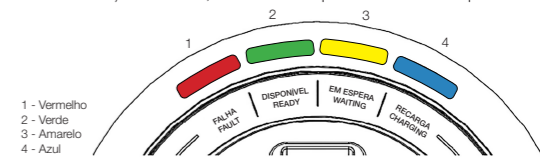


Figura 6.1: LEDs de sinalização

Tabela 6.1: Sinalização de status

Cor do LED	Status	Descrição
Todos os LEDs acesos intermitente	INICIALIZANDO	Estação de recarga em autoteste
Todos os LEDs apagados	DESLIGADA	Estação de recarga sem alimentação
Verde contínuo	DISPONÍVEL	Estação pronta para utilização
Verde intermitente	AUTORIZADO	Usuário autorizado para recarga (somente se a autenticação exigir autenticação)
Amarelo contínuo	VEÍCULO CONECTADO	Veículo elétrico conectado e em processo de reconhecimento
Amarelo intermitente	EM ESPERA	Recarga completa ou suspensa
Azul contínuo	RECARGA	Recarga em andamento
Vermelho contínuo	FALHA	Estação em estado de falha
Vermelho intermitente	FALHA	Estação em estado de erro

6.2 PROCEDIMENTO PARA RECARGA

Para iniciar a recarga do veículo elétrico, retire o plugue do soquete da estação de recarga e conecte-o no soquete do veículo elétrico. Após conectado o plugue ao veículo elétrico, a recarga ocorrerá de forma automática, seguindo os estágios:

Estágio 1: Disponível

Para iniciar uma recarga verifique se a estação está no modo "disponível" (pronta para utilização), com a indicação luminosa contínua na cor VERDE.

Estágio 2: Em Espera

O usuário retira o plugue da estação e conecta no veículo. Após a conexão com o veículo, a estação de recarga irá sinalizar na cor AMARELA contínua.

Estágio 3: Recarga

Se a conexão for bem-sucedida, a estação iniciará a recarga do veículo elétrico e irá sinalizar na cor AZUL contínuo.

Estágio 4: Finalização

Para finalizar uma recarga poderão ser adotados dois métodos:

Intervenção pelo usuário: neste caso a finalização da recarga deverá ser realizada através do veículo. Cada veículo tem seu método próprio para finalizar uma recarga, para tal, recomendamos a leitura do manual do veículo para a correta interrupção do processo.

Recarga completa: após a recarga completa da bateria do veículo elétrico, o conector permanecerá travado até a interrupção da recarga pelo veículo.

A estação irá sinalizar na cor AMARELA, indicando que a recarga está completa e é necessária a intervenção do usuário.

Após a desconexão do cabo de recarga a estação irá voltar para o status de início, sinalizando na cor VERDE contínuo. Disponível para a próxima recarga.

PERIGO!

- Não force a desconexão do veículo puxando o cabo de recarga. Interrompa previamente a recarga através do seu veículo e somente após a liberação, retire o plugue.
- Alguns veículos elétricos permitem a partida do motor com o cabo de recarga conectado. Certifique-se de desconectar o cabo antes de mover o veículo.

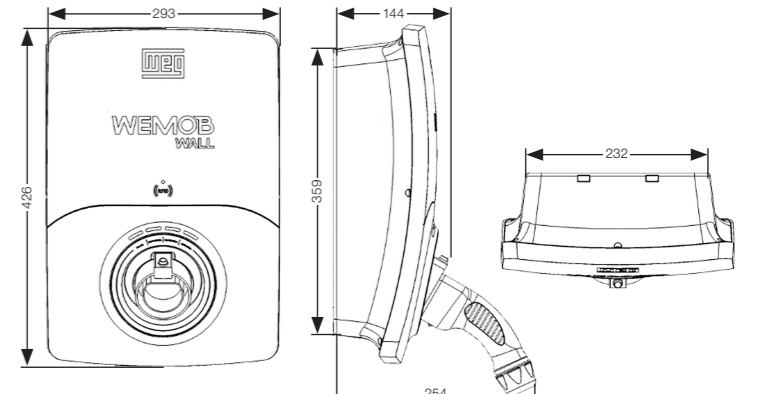
6.3 ERROS E FALHAS

Caso seja identificado algum erro, falha ou acionamento das proteções internas, a estação irá sinalizar na cor VERMELHA, de modo contínuo ou intermitente e aviso sonoro (bip).

Falha: Sinalização em VERMELHO contínuo, a estação necessita de intervenção, desligue e ligue o equipamento.

Erro: Sinalização em VERMELHO intermitente, retire o conector do veículo. Eliminada a condição que gerou o erro, a estação fará automaticamente um reset, voltando a condição "disponível".

7 DIMENSÕES



(*) Para modelo com cabo tipo 1.

Figura 7.1: Dimensões da estação de recarga WEMOB-WALL em mm



"Este equipamento não tem direito à proteção contra interferência prejudicial e não pode causar interferência devidamente autorizados".

"Incorpora produto homologado pela ANATEL sob o número 17035-20-03402".



NOTA!
WEMOB® é marca registrada da WEG S/A.